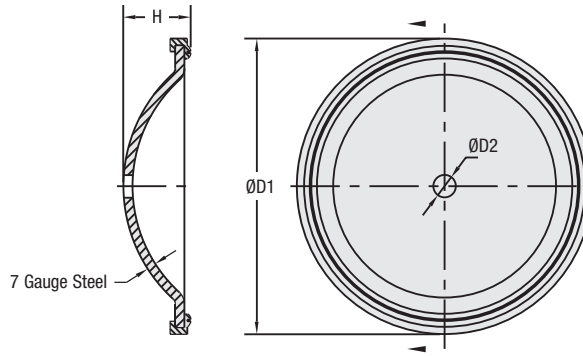


Reservoir End Covers - Type EC



Characteristics

Materials

- End cover made of 7 Grade Steel (pickled and oiled); Stainless Steel available on request
- Double lip gasket (one-piece, molded) made of NBR (Buna-N®)
- Crush washer made of Polyamide (PA)

Options

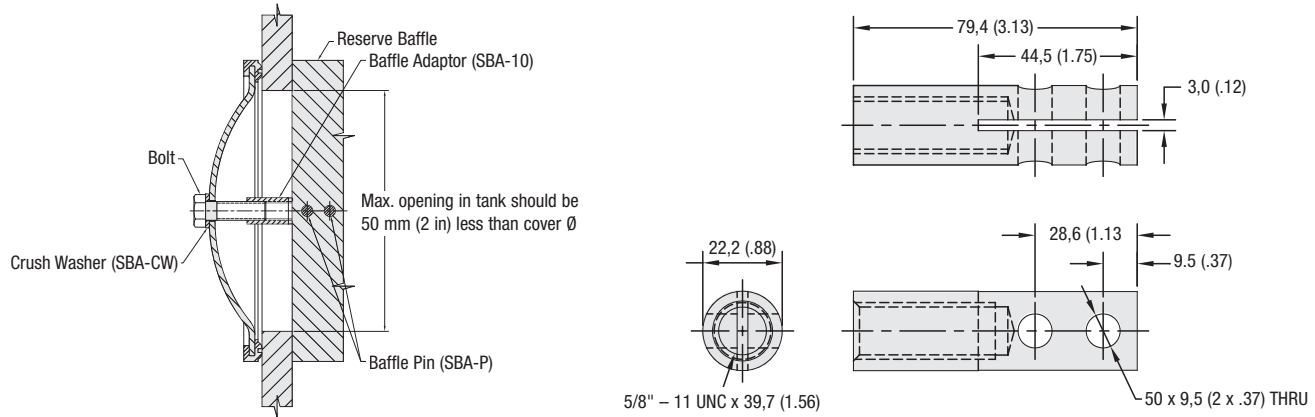
- 3/4" drain hole (not for EC-6 and EC-16)
- Back mounting brackets (included for EC-6)
- Baffle adaptors
- Seal kits (double lip gasket and crush washer)

Special sizes, designs, materials and configurations are available on request. Consult STAUFF for details.

Dimensions and Order Codes

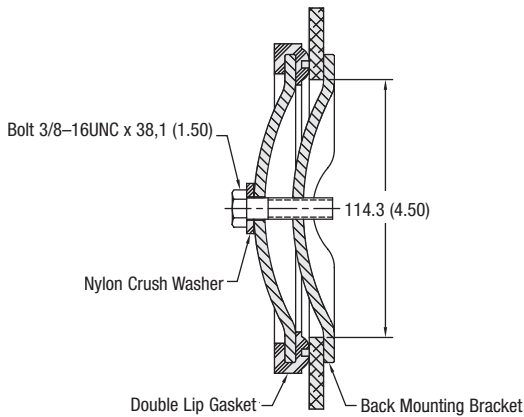
Order Code	Dimensions (mm/in)		Weight (kg/lbs)			
	w/o Drain Hole	with Drain Hole		Seal Kit		
EC - 6			146	11,1	33	1,2
			5.75	.44	1.31	2.5
EC - 10	EC - 10D	EC - 10 - SK	254	17,4	44,5	2,1
			10.00	.69	1.75	4.5
EC - 12	EC - 12D	EC - 12 - SK	308	17,4	44,5	3,0
			12.13	.69	1.75	6.5
EC - 14	EC - 14D	EC - 14 - SK	359	17,4	44,5	3,9
			14.13	.69	1.75	8.5
EC - 16		EC - 16 - SK	410	17,4	44,5	4,8
			16.15	.69	1.75	10.5
EC - 18	EC - 18D	EC - 18 - SK	460	17,4	51	6,2
			18.11	.69	1.75	13.5

Baffle Adaptors for Reservoir End Covers



Dimensions and Order Codes

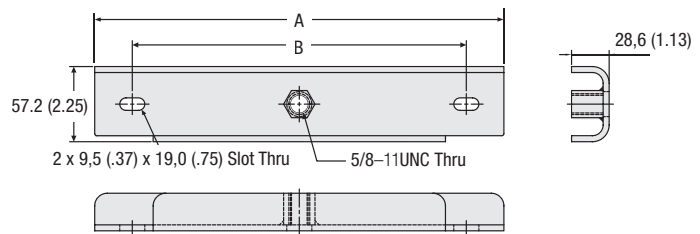
Order Code	Description
SBAB - 10	Mounting Bolt for EC-10 / EC-12: 5/8-11UNC x 38,1 (1.50)
SBAB - 14	Mounting Bolt for EC-14: 5/8-11UNC x 50,8 (2.00)
SBAB - 18	Mounting Bolt for EC-18: 5/8-11UNC x 63,5 (2.50)
SBA - 10	Baffle Adaptor
SBA - P	Baffle Pin
SBA - CW	Crush Washer



Back Mounting Bracket for EC - 6

EC-6 supplied with back mounting bracket

Back Mounting Brackets for Reservoir End Covers



Back Mounting Bracket for EC - 10 ... 18

 Required when baffle adaptor is not used;
 includes bracket and 2 weld on clips

Dimensions and Order Codes

Order Code	Dimensions (mm/in)				Weight (kg/lbs)
	End Cover Ø	Access Hole Ø	A	B	
SBR - 10	254	203,2	305	254	1,2
	10.00	8.00	12.00	10.00	2.5
SBR - 12	308	254,0	356	305	1,4
	12.13	10.00	14.02	12.00	3.0
SBR - 14	359	304,8	413	362	1,4
	14.13	12.00	16.26	14.25	3.0
SBR - 16	410	355,6	464	413	1,8
	16.15	14.00	18.27	16.26	4.0
SBR - 18	460	406,6	514	464	1,8
	18.11	16.00	20.24	18.27	4.0

Motor-Pump Adaptors for Electric Motors



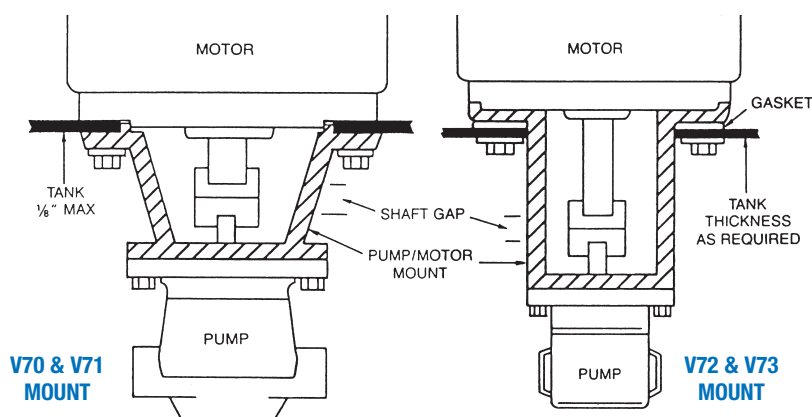
Characteristics

Product Features

- Vertical and horizontal mounts
- Easy assembly of pumps to electric motors
- For accurate alignment between pump and motor
- Light-weight, high-strength Aluminum casting
- One snap-in cover for access hole (standard)
- Suitable for electric motors to 74 kW / 100 hp

Consult STAUFF for options on Gas Engine Adaptors.

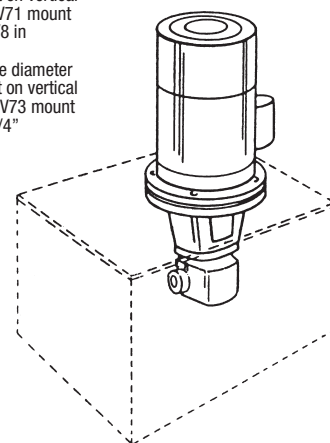
Vertical Mount Adaptors for Electric Motors



Note:

Outside diameter of pilot on vertical V70 & V71 mount is 4-7/8 in

Outside diameter of pilot on vertical V72 & V73 mount is 5 3/4"



Vertical pump mounts allow pump/motor assembly to be directly mounted to reservoir.
Pump coupling and shafts are within reservoir for enclosed, quiet operation.
Faster assembly of equipment with this accurately machined, aluminum casting.

Frame Number	Pump Mount Part Number	Motor Frame Size	SAE Pump Flange	Face To Face		Dimensions of NEMA-C Face Mount End (inches)						Dimensions of Pump Face Mount End (inches)				Diagram			
						A			B			C			D		Pump Bolt Circle		
				mm	in	mm	in	mm	in	mm	in	mm	in	mm	in		mm	in	
E70	V70-A4	56C	4F17									45	1.78	72	2.828				
	V70-AA	143-145 TC	AA-2 BOLT	89	3.50"	114	4.50	168	6.625	149	5.875	51	2.00	83	3.25				
	V70-A2		A-2 BOLT									83	3.25	106	4.188				
E71	V71-A4	56C	4F17									45	1.78	72	2.828				
	V71-AA	143-145 TC	AA-2 BOLT	112	4.40"	114	4.50	168	6.625	149	5.875	51	2.00	83	3.25				
	V71-A2		A-2 BOLT									83	3.25	106	4.188				
E72	V72-A4	182-184 TC	4F17									45	1.78	72	2.828				
	V72-AA	213-215 TC	AA-2 BOLT	130	5.12"	216	8.50	222	8.75	184	7.25	51	2.00	83	3.25				
	V72-A2	254-256 TC	A-2 BOLT									83	3.25	106	4.188				
E73	V73-A4	182-184 TC	4F17									45	1.78	72	2.828				
	V73-AA	213-215 TC	AA-2 BOLT	163	6.40"	216	8.50	222	8.75	184	7.25	51	2.00	83	3.25				
	V73-A2	254-256 TC	A-2 BOLT									83	3.25	106	4.188				

Motor-Pump Adaptors for Electric Motors

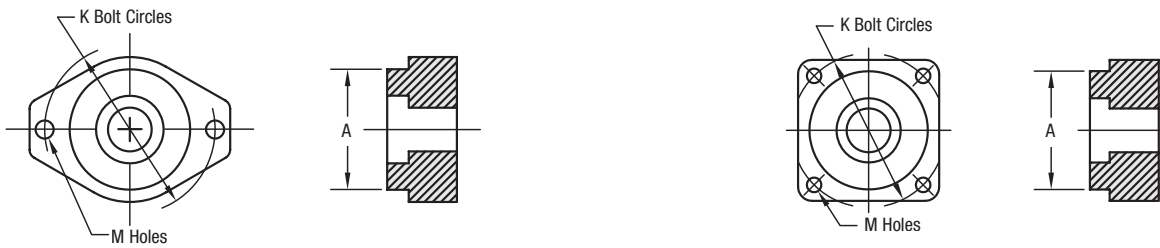
Vertical Mount Adaptors for Electric Motors

Frame Number	Pump Mount Part Number	Motor Frame Size	SAE Pump Flange	Face to Face		Dimensions of NEMA-C Face Mount End (Inches)						Dimensions of Pump Face Mount End (Inches)				Maximum Coupling Diameter		
						A		B		C		D		Pump Bolt Circle				
				mm	in	mm	in	mm	in	mm	in	mm	in	mm	in	mm	in	
E49	E49-A4	56C 143-145 TC	4F17	89	3.50	114	4.50	168	6.625	149	5.875	45	1.78	72	2.828	76	3.00	
	AA-2 BOLT		51									2.00	83	3.25				
	A-2 BOLT		83									3.25	106	4.188				
E50	E50-A4	56C 143-145 TC	4F17	112	4.40	114	4.50	168	6.625	149	5.875	45	1.78	72	2.828	76	3.00	
	AA-2 BOLT		51									2.00	83	3.25				
	A-2 BOLT		83									3.25	106	4.188				
E51	E51-A4	56C 143-145 TC	4F17	130	5.12	216	8.50	222	8.75	184	7.25	45	1.78	72	2.828	89	3.50	
	AA-2 BOLT		51									2.00	83	3.25				
	A-2 BOLT		83									3.25	106	4.188				
E52	E52-A4	56C-145TC	A 2/4	163	6.40	216	8.50	222	8.75	184	7.25	45	1.78	72	2.828	89	3.50	
	A-2 BOLT		51									2.00	83	3.25				
	A-2 BOLT		83									3.25	106	4.188				
E53	E53-A2	182-184 TC	A-2 BOLT	147	5.81	216	8.50	222	8.75	184	7.25	83	3.25	106	4.188	89	3.50	
	B-2 BOLT		102									4.00	146	5.75				
	E54		E54-B2									A-2 BOLT	172	6.81	216			8.50
E55	E55-A2	B-2 BOLT	102	4.00	146	5.75												
E56	E56-B2	A-2 BOLT	129	5.06	216	8.50	222	8.75	184	7.25	83	3.25				106	4.188	
E57	E57-A2S	B-2 BOLT									102	4.00	146	5.75				
	E57-A2L	A-2 BOLT									130	5.12	216	8.50	222	8.75	184	7.25
E57	E502-A2/4	A 2/4	133	5.25	83	3.25	106	4.188										
E58	E58-A2	182-182 TC	A-2 BOLT	147	5.81	216	8.50	222	8.75	184	7.25	83						
	E58-B2	213-215TC	B-2 BOLT									102	4.00	146	5.75			
	E58-C2	254-256 TC	C-2 BOLT									127	5.00	181	7.125			
E59	E59-A2	182-184 TC	A-2 BOLT	172	6.81	216	8.50	222	8.75	184	7.25	83	3.25	106	4.188	102	4.00	
	E59-B2	213-215 TC	B-2 BOLT									102	4.00	146	5.75			
	E59-C2	254-256 TC	C-2 BOLT									127	5.00	181	7.125			
E62	E62-A2	284-286 TC	A-2 BOLT	174	6.87	267	10.50	279	11.00	228	9.00	83	3.25	106	4.188	102	4.50	
	E62-B2	284-286 TSC	B-2 BOLT									102	4.00	146	5.75			
	E62-C2	A-2 BOLT	127									5.00	181	7.125				
E63	E63-A2	284-286 TC	A-2 BOLT	200	7.87	267	10.50	279	11.00	228	9.00	83	3.25	106	4.188	102	4.50	
	E63-B2	284-286 TSC	B-2 BOLT									102	4.00	146	5.75			
	E63-C2	C-2 BOLT	127									5.00	181	7.125				
E64	E64-A2	324-326 TSC	A-2 BOLT	168	6.62	318	12.50	330	13.00	279	11.00	83	3.25	106	4.188	133	5.25	
	E64-B2/4	364-365 TSC	B-2 BOLT									102	4.00	146	5.75			
		C-2 BOLT	127									5.00	181	7.125				
	E64-C2/4	404-405 TSC	C-4 BOLT									127	5.00	162	6.375			
E65	E65-A2	324-326 TSC	A-2 BOLT	179	7.06	318	12.50	330	13.00	279	11.00	83	3.25	106	4.188	133	5.25	
	E65-B2/4	364-326 TSC	B-2 BOLT									102	4.00	146	5.75			
		C-2 BOLT	127									5.00	181	7.125				
	E65-C2/4	404-405 TSC	C-4 BOLT									127	5.00	162	6.375			
E66	E66-A2	324-326 TSC	A-2 BOLT	222	8.75	318	12.50	330	13.00	279	11.00	83	3.25	106	4.188	133	5.25	
	E66-B2/4	369-365 TSC	B-2 BOLT									102	4.00	146	5.75			
		C-2 BOLT	127									5.00	181	7.125				
	E66-C2/4	404-405 TSC	C-4 BOLT									127	5.00	162	6.375			
E67	E67-D2/4	324-326 TSC	D-2 BOLT	179	7.06	318	12.50	330	13.00	279	11.00	152	6.00	229	9.00	152	6.00	
		404-405 TSC	D-4 BOLT									152	6.00	229	9.00			
E68	E68-D2/4	324-326 TSC	D2 BOLT	222	8.75	318	12.50	330	13.00	279	11.00	152	6.00	229	9.00	152	6.00	
		269-365 TSC	D4 BOLT									152	6.00	229	9.00			
ADAPTOR FOR E51-E59 TO CONVERT TO 284-286 TSC MOTORS																		
E69	E69					267	10.50	279	11.00	228	9.00							

**Note: Use the E69 adaptor ring with E58 and E59 mounts for all E62 and E63 mounts.

Motor-Pump Adaptors for Electric Motors

Mounting Dimensions for SAE-2 and SAE-4 Bolt NEMA Electric Motors



SAE-2 Bolt Mount

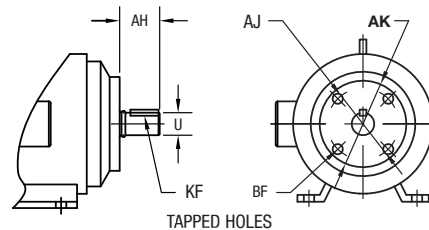
Dimensions in inch.

MOUNTING FLANGE SAE	PILOT DIMENSIONS A	FLANGE DIMENSIONS	
		K	M
AA	2.000/1.998	3.255	0.406
		3.245	
A	3.250/3.248	4.192	0.438
		4.182	
B	4.000/3.998	5.755	0.562
		5.745	
C	5.000/4.998	7.130	0.687
		7.120	
D	6.000/5.998	9.005	0.812
		8.995	
E	6.500/6.498	12.503	1.062
		12.495	
F	7.000/6.998	13.786	1.062
		13.776	

SAE-4 Bolt Mount

Dimensions in inch.

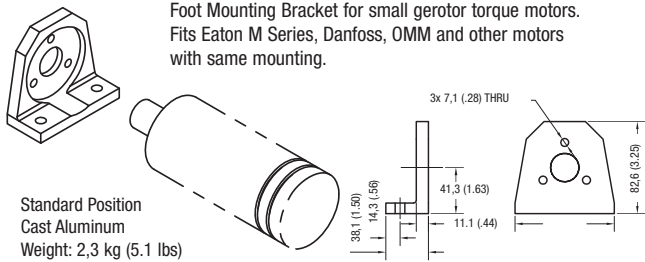
MOUNTING FLANGE SAE	PILOT DIMENSIONS A	FLANGE DIMENSIONS	
		K	M
USA 4F17	1.781/1.779	2.843	0.375
		2.833	
A	3.250/3.248	4.130	0.438
		4.120	
B	4.000/3.998	5.005	0.562
		4.995	
C	5.000/4.998	6.380	0.562
		6.370	
D	6.000/5.998	9.005	0.812
		8.995	
E	6.500/6.498	12.505	0.812
		12.495	
F	7.000/6.998	13.786	1.062
		13.776	



NEMA Electric Motor Shaft and C-Face Dimension

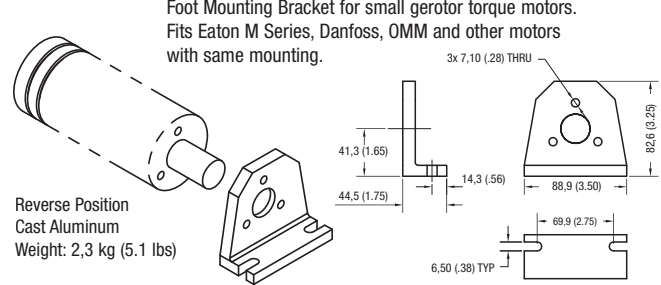
NEMA Motor	Frame	Bolt Circle AJ		Register AK	Shaft Diameter U		Shaft Length AH		Key Sq.		Key Length		BP Tapped Holes	
		mm	in		mm	in	mm	in	mm	in	mm	in	Size	No. Req'd.
56C		149	5-7/8	4-1/2	16	5/8	52	2-1/16	5	3/16	25	1	3/8-16	4
143TC		149	5-7/8	4-1/2	22	7/8	54	2-1/8	5	3/16	35	1-3/8	3/8-16	4
145TC		149	5-7/8	4-1/2	22	7/8	54	2-1/8	5	3/16	35	1-3/8	3/8-16	4
182TC		184	7-1/4	8-1/2	29	1-1/8	67	2-5/8	6	1/4	44	1-3/4	1/2-13	4
184TC		184	7-1/4	8-1/2	29	1-1/8	67	2-5/8	6	1/4	44	1-3/4	1/2-13	4
213TC		184	7-1/4	8-1/2	35	1-3/8	79	3-1/8	8	5/16	60	2-3/8	1/2-13	4
215TC		184	7-1/4	8-1/2	35	1-3/8	79	3-1/8	8	5/16	60	2-3/8	1/2-13	4
254TC		184	7-1/4	8-1/2	41	1-5/8	95	3-3/4	10	3/8	73	2-7/8	1/2-13	4
256TC		184	7-1/4	8-1/2	41	1-5/8	95	3-3/4	10	3/8	73	2-7/8	1/2-13	4
284TC		229	9	10-1/2	48	1-7/8	111	4-3/8	13	1/2	83	3-1/4	1/2-13	4
284TSC		229	9	10-1/2	41	1-5/8	76	3	10	3/8	48	1-7/8	1/2-13	4
286TC		229	9	10-1/2	48	1-7/8	111	4-3/8	13	1/2	83	3-1/4	1/2-13	4
286TSC		229	9	10-1/2	41	1-5/8	76	3	10	3/8	48	1-7/8	1/2-13	4
324TC		279	11	12-1/2	54	2-1/8	127	5	13	1/2	98	3-7/8	5/8-11	4
324TSC		279	11	12-1/2	48	1-7/8	89	3-1/2	13	1/2	51	2	5/8-11	4
326TC		279	11	12-1/2	54	2-1/8	127	5	13	1/2	98	3-7/8	5/8-11	4
326TSC		279	11	12-1/2	48	1-7/8	89	3-1/2	13	1/2	51	2	5/8-11	4
364TC		279	11	12-1/2	60	2-3/8	143	5-5/8	16	5/8	108	4-1/4	5/8-11	8
364TSC		279	11	12-1/2	48	1-7/8	89	3-1/2	13	1/2	51	2	5/8-11	8
365TC		279	11	12-1/2	60	2-3/8	143	5-5/8	16	5/8	108	4-1/4	5/8-11	8
365TSC		279	11	12-1/2	48	1-7/8	89	3-1/2	13	1/2	51	2	5/8-11	8
404TC		279	11	12-1/2	60	2-7/8	178	7	19	3/4	143	5-5/8	5/8-11	8
404TSC		279	11	12-1/2	54	2-1/8	102	4	13	1/2	70	2-3/4	5/8-11	8
405TC		279	11	12-1/2	60	2-7/8	178	7	19	3/4	143	5-5/8	5/8-11	8
405TSC		279	11	12-1/2	54	2-1/8	102	4	13	1/2	70	2-3/4	5/8-11	8
444TC		356	14	16	92	3-3/8	210	8-1/4	22	7/8	175	6-7/8	5/8-11	8
444TSC		356	14	16	60	2-3/8	114	4-1/2	16	5/8	76	3	5/8-11	8
445TC		356	14	16	92	3-3/8	210	8-1/4	22	7/8	175	6-7/8	5/8-11	8
445TSC		356	14	16	60	2-3/8	114	4-1/2	16	5/8	76	3	5/8-11	8

Foot Mount Brackets for Hydraulic Pumps - Type FM

FM-36-M3


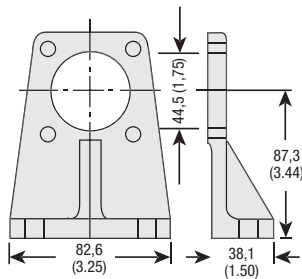
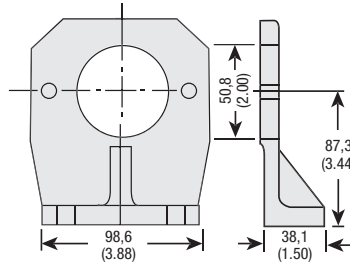
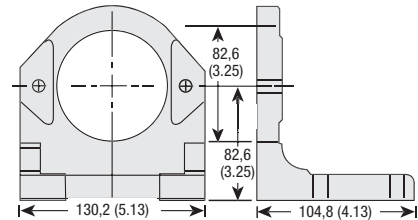
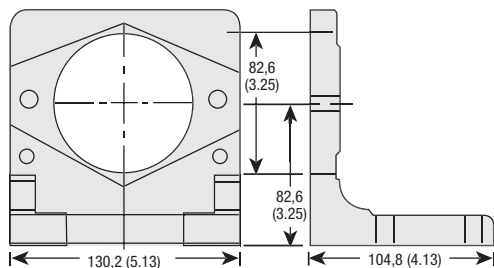
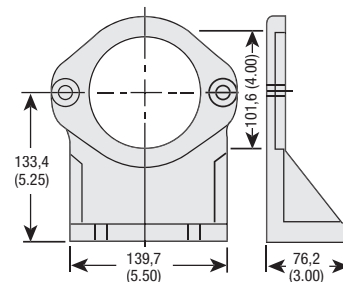
Standard Position
Cast Aluminum
Weight: 2,3 kg (5.1 lbs)

Foot Mounting Bracket for small gerotor torque motors.
Fits Eaton M Series, Danfoss, OMM and other motors
with same mounting.

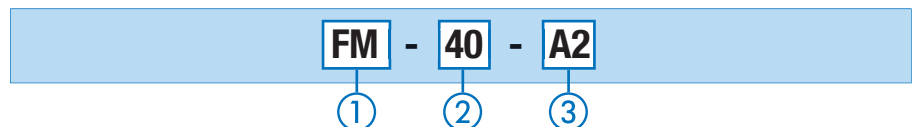
FM-37-M3R


Reverse Position
Cast Aluminum
Weight: 2,3 kg (5.1 lbs)

Foot Mounting Bracket for small gerotor torque motors.
Fits Eaton M Series, Danfoss, OMM and other motors
with same mounting.

FM-38-4F

FM-39-AA2

FM-40-A2

FM-41-A2C

FM-42-B2

Characteristics

- Lightweight Aluminum casting
- Sizes available:
 - SAEAA - 4 Bolt
 - SAEAA - 2 Bolt
 - SAEA - 2 Bolt
 - SAEB - 2 Bolt

Order Codes


① Type ② Frame Number ③ Pump Flange