



Electrohydraulic Motion Controls

Proportional Directional & Pressure Control Valves
Servovalves, Electronics, Accessories

Catalog HY14-2550/US

aerospace
climate control
electromechanical
filtration
fluid & gas handling
hydraulics
pneumatics
process control
sealing & shielding



ENGINEERING YOUR SUCCESS.

**WARNING – USER RESPONSIBILITY**

FAILURE OR IMPROPER SELECTION OR IMPROPER USE OF THE PRODUCTS DESCRIBED HEREIN OR RELATED ITEMS CAN CAUSE DEATH, PERSONAL INJURY AND PROPERTY DAMAGE.

- This document and other information from Parker-Hannifin Corporation, its subsidiaries and authorized distributors provide product or system options for further investigation by users having technical expertise.
- The user, through its own analysis and testing, is solely responsible for making the final selection of the system and components and assuring that all performance, endurance, maintenance, safety and warning requirements of the application are met. The user must analyze all aspects of the application, follow applicable industry standards, and follow the information concerning the product in the current product catalog and in any other materials provided from Parker or its subsidiaries or authorized distributors.
- To the extent that Parker or its subsidiaries or authorized distributors provide component or system options based upon data or specifications provided by the user, the user is responsible for determining that such data and specifications are suitable and sufficient for all applications and reasonably foreseeable uses of the components or systems.

OFFER OF SALE

The items described in this document are hereby offered for sale by Parker-Hannifin Corporation, its subsidiaries or its authorized distributors. This offer and its acceptance are governed by the provisions stated in the detailed "Offer of Sale" elsewhere in this document or available at www.parker.com/hydraulicvalve.

SAFETY GUIDE

For safety information, see Safety Guide SG HY14-1000 at www.parker.com/safety or call 1-800-CParker.

© Copyright 2011 Parker Hannifin Corporation, All Rights Reserved

Cat HY14-2550-frtcvr.indd, dd



Contents

Description	Page
EHC Cable Assemblies	E2
Communication Cable Assemblies.....	E2
Connectors	E3
Bolt Kits/Subplates	E4
Terms of Sale and Warranty Limitations.....	E5
Safety Guide.....	E6 - E7



General Description

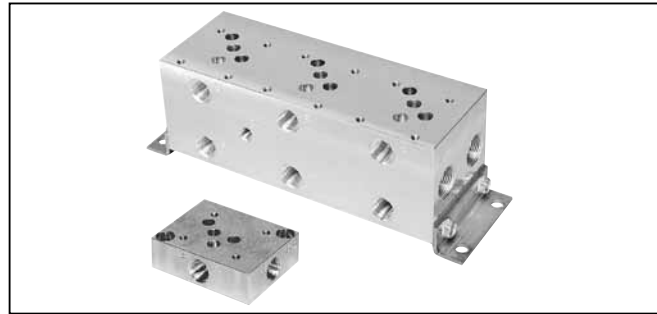
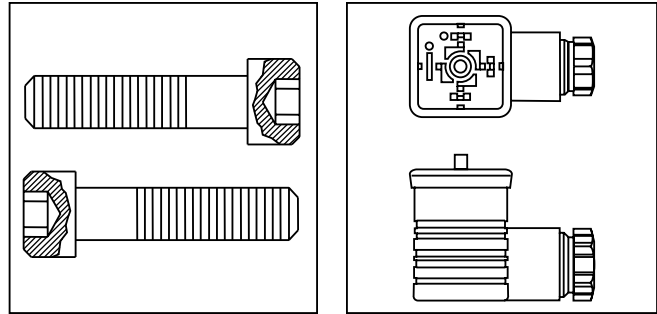
Supporting accessory products for proportional valves listed in this section include cable assemblies, connectors, bolt kits, and subplates. Valve drivers and power supplies can be found in the electronics section.

EHC cable assemblies are listed for specific valves, by function, and are supplied with an installed connector as specified at one end, pig-tails leads at the other.

Note that all valves are not shipped with a mating connector. Mating connectors are listed by valve application.

Electronic Accessories

Refer to the Electronics section for valve driver electronics, power supplies and accessories.



EHC Cable Assemblies

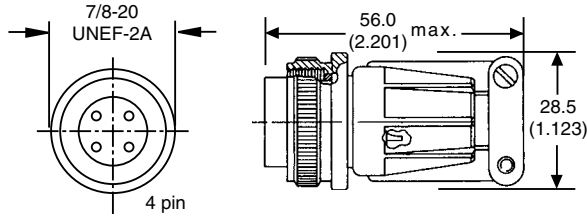
Valve Application	Connector		Function (3)	Model
	Option (1) (2)	Pins		
D*FB OBE D*1FB OBE D*FH D*1FH D*FP D*1FP D*FX ('B' ele. option) D*6FH	CE compliant, 'MS' style (Preferred)	7	Primary cable assembly	EHC158GE
D*FT D*1FT RE**T RE06*T	Plastic	7	Primary cable assembly	EHC158G
D*FX ('C' and 'D' ele. option)	'MS' Style	6	Primary cable assembly	EHC158
D*FL	Environmental 'MS' style	4	Power cable	EHC154LR
	Environmental 'MS' style	6	Logic I/O	EHC156R
	CE compliant 'MS' style	4	Power cable	EHC154LRE
	CE compliant 'MS' style	6	Logic I/O	EHC156RE
BD, DY	'MS' style	4	Primary cable assembly	EHC154S
D*FP W5 D*1FP W5 D*FB W5 D*1FB W5	CE compliant	12	Primary cable assembly	EHC1512GE

Communication Cable Assemblies

Valve Application	Connector		Function (3)	Model
	Option (1) (2)	Pins		
D*FB OBE D*1FB OBE D*FT 52 Design D*1FT 40 Design RE06*T 26 Design	RS232 to Mini USB		Parameter change via "ProPXD" software	40982923
D*FB OBE D*1FB OBE D*FT 52 Design D*1FT 40 Design RE06*T 26 Design	USB to Mini USB		Parameter change via "ProPxD" software	1210846

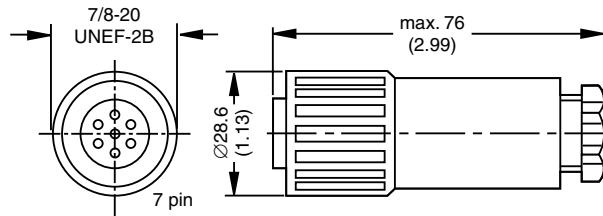
accessories.indd, dd

Power Connector — D*FL



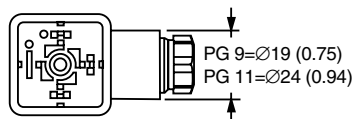
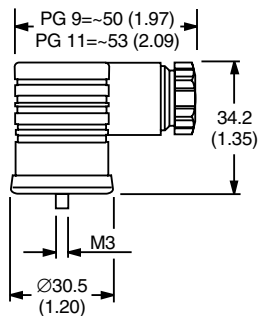
Description	Order Number
4 pin	1210292

**Primary Connector —
 D*FT, D*FX (Ele. Design 'B'), D*FH, D*FM,
 RE06*T, RE**T, D*FB, and D*1FB (OBE)**



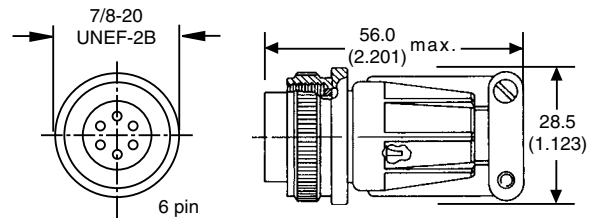
Description	Order Number
DIN 43563 6+PE	5004072

Solenoid Connector



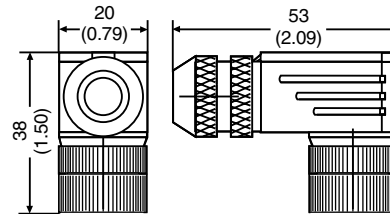
Description	Variation	Order Number
DIN 43650	Black	692914
DIN 43650	Grey	692915

I/O Connector — D*FL



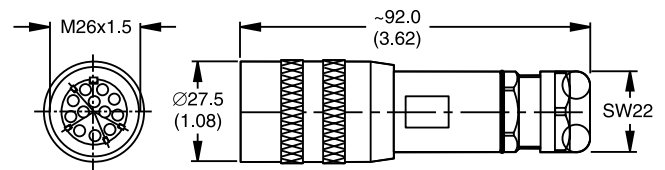
Description	Order Number
6 pin D*FL	MS3106E-14S-6S
Rubber Boot	801227
6 pin D*FX (ele. design A, C & D)	697561

LVDT Connector — D*1FS



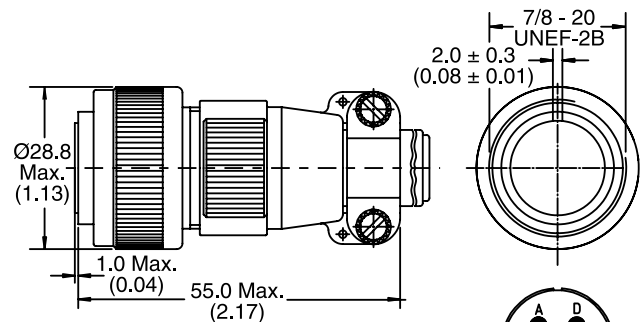
Description	Order Number
M12 / 5 pin	5004109

**Primary Connector —
 D*FP*5, D*1FP*5, D*FB*W5 and D*1FB*W5**



Description	Order Number
EN 175201-804 11+PE	5004711

Primary Connector — BD, PH, DY and SE



Description	Order Number
4-pin	MS3106E-14S-2S



Interface	Valve	Bolt Kit	Qty	Size	Subplate ⁽¹⁾	Port Size	Port Location
NG6 CETOP 3	D1F*	BK209	4	10-24 x 1.25"	SPD23NS35	3/8" NPTF	Bottom
		BK375	4	M5 x 30mm	SPD23NAS35	3/8" NPTF	Side
	RE06	BK210	4	10-24 x 1.875"	SPD26SS35 SPD26SAS35	#12 SAE #12 SAE	Bottom Side
NG10 CETOP 5	D3F*	BK98	4	1/4-20 x 1.625"	SPD31V6NS35	3/4" NPTF	Bottom
		BK385	4	M6 x 40mm	SPD31V6NAS35	3/4" NPTF	Side
					SPD31V6SS35	#12 SAE	Bottom
					SPD31V6SAS35	#12 SAE	Side
	D31F*	BK02	4	1/4-20 x 1.5"	SPD31V6NS35	3/4" NPTF	Bottom
		BK385	4	M6 x 40mm	SPD31V6NAS35 SPD31V6SS35 SPD31V6SAS35	3/4" NPTF #12 SAE #12 SAE	Side Bottom Side
D36F*	BK03 BK439	6 6	1/4-20 x 1.5" M6 x 40mm	1402190	#16 SAE	Side	
NG16 CETOP 7	D41F*	BK160	4	3/8-16 x 2.5"	SPD46SA	#12 SAE	Side
			2	1/4-20 x 2.25"			
		BK320	4	M10 x 60mm	DD07SPS012S	#12 SAE	Side
			2	M6 x 55mm			
	D46F*	BK153 BK440	6 6	3/8-16 x 2.0" M10 x 50mm	1402191	#20 SAE	Side
NG25 CETOP 8	D81F* D91F*	BK228	6	1/2-13 x 3"	SPD66NS35	3/4" NPTF	Bottom
		BK360	6	M12 x 75	SPD66NAS35	3/4" NPTF	Side
					SPD68NS35	1" NPTF	Bottom
					SPD68NAS35	1" NPTF	Side
					SPD610NS35	1 1/4" NPTF	Bottom
					SPD610NAS35	1 1/4" NPTF	Side
					SPD610SS35	#20 SAE	Bottom
				SPD610SAS35	#20 SAE	Side	
D96F*	BK227 BK462	6 6	1/2-13 x 2.5" M12 x 60mm	1402192	#24 SAE	Side	
NG32 CETOP 10	D111F*	BK150	6	3/4-10 x 3.5"	SPD1010N35	1 1/4" NPTF	Bottom
		BK386	6	M20 x 90	SPD1012N35	1 1/2" NPTF	Bottom

(1) Ductile iron; maximum operating pressure: 350 Bar (5075 PSI). Refer to valve specifications for actual recommended maximums.

Note: All subplates listed use SAE mounting bolt hardware.