



# PARKER CALZONI Radial Piston Motor Type MRT, MRTE, MRTF



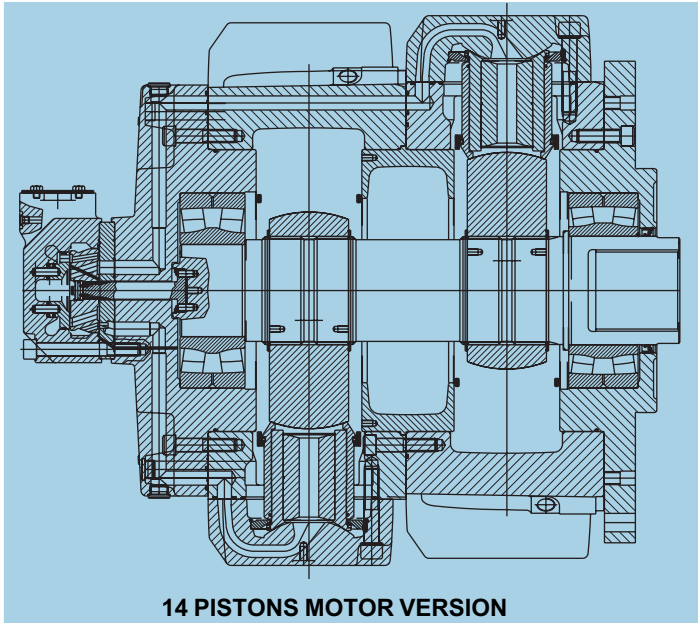
RCOe 2301/10.04



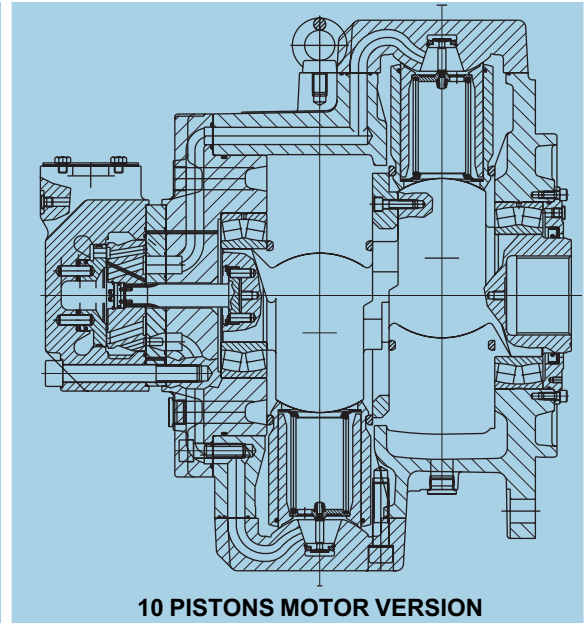
## TABLE OF CONTENTS - MOTOR TYPE MRT - MRTE - MRTF

CONTENS	PAG.
TABLE OF CONTENTS	2
GENERAL CHARATERISTICS	3
FUNCTIONAL DESCRIPTION	4
TECHINICAL DATA	5
FLUID SELECTION	6
FLUSHING PROCEDURE	7
OPERATING DIAGRAM MOTOR TYPE MRT 7100 MRTF 8100 MRTE 8500	8
OPERATING DIAGRAM MOTOR TYPE MRT 9000 MRTF 9900 MRTE 10800	9
OPERATING DIAGRAM MOTOR TYPE MRT 14000 MRTF 15500 MRTE 16500	10
OPERATING DIAGRAM MOTOR TYPE MRT 17000 MRTF 18000 MRT 19500	11
OPERATING DIAGRAM MOTOR TYPE MRTE 20000 MRTF 21500 MRTE 23000	12
OPERATING DIAGRAM (RUNNING PRESSURE DIFFERENCE AT NO LOAD)	13-14
OPERATING DIAGRAM (MOTOR /PUMP: BOOST PRESSURE)	14-15
MOTOR DIMENSIONS	16-19
COMPONENTS FOR SPEED CONTROL	20-21
INSTALLATION NOTES	22
ORDERING CODE	23
SALES AND SERVICE LOCATIONS WORLDWIDE	24

GENERAL CHARACTERISTICS



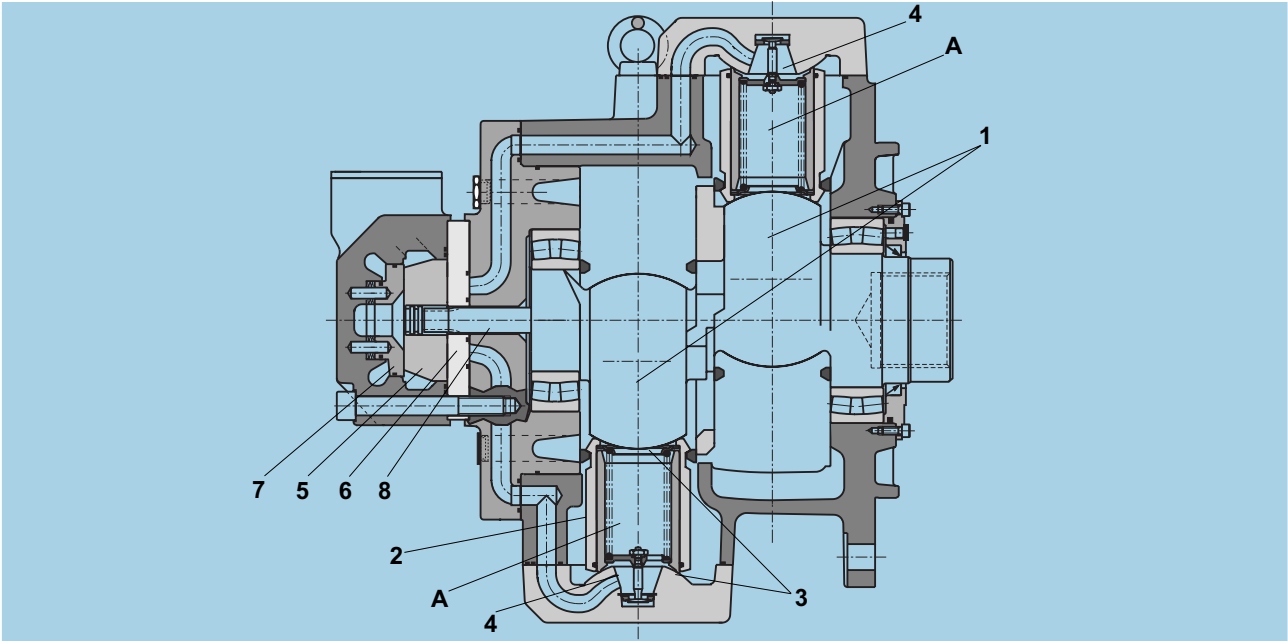
14 PISTONS MOTOR VERSION



10 PISTONS MOTOR VERSION

<b>CONSTRUCTION</b>	Fixed displacement radial piston motor
<b>TYPE</b>	MRT, MRTE, MRTF
<b>MOUNTING</b>	Front flange mounting
<b>CONNECTION</b>	Connection flange
<b>MOUNTING POSITION</b>	Any (please note the installation notes on page 22)
<b>DIRECTION OF ROTATION</b>	Clockwise, anti-clockwise -reversible
<b>FLUID</b>	HLP mineral oils to DIN 51 524 part 2; Fluid type HFB, HFC and Bio-fluids on enquiry. FPM seals are required with phosphorous acid-Ester (HFD)
<b>FLUID TEMPERATURE RANGE</b>	$t \text{ } ^\circ\text{C} - 30^\circ \text{ a } + 80^\circ$
<b>VISCOSITY RANGE <sup>1)</sup></b>	$\nu \text{ mm}^2/\text{s}$ 18 to 1000: Recommended operating range 30 to 50 $\text{mm}^2/\text{s}$ (see fluid selection on page 6)
<b>FLUID CLEANLINESS</b>	Maximum permissible degree of contamination of fluid NAS 1638 Class 9. We therefore recommend a filter with a minimum retention rate of $\beta_{10} \geq 75$ . To ensure a long life we recommend class 8 to NAS 1638. This can be achieved with a filter, with a minimum retention rate of $\beta_5 \geq 100$ .

1) For different valves of viscosity please contact PARKER Calzoni



## FUNCTIONAL DESCRIPTION

The outstanding performance, which is already known in our MR - MRE series motors, is the result of an original and patented design. The principle is to transmit the effort from the stator to the rotating shaft (1) by means of a pressurized column of oil (A) instead of the more common connecting rods, pistons, pads and pins. This oil column is contained by a telescopic cylinder (2) with a mechanical connection at the lips at each end which seal against the spherical surfaces (3) of the cylinder-heads (4) and the spherical surface of the rotating shaft (1). These lips retain their circular cross section when stressed by the pressure so there is no alteration in the sealing geometry. The particular selection of materials and optimisation of design has minimized both the friction and the leakage. Another advantage of this design stems from the elimination of any connecting rods, the cylinder can only expand and retract linearly so there are no transverse components of the thrust. This means no oval wear on the moving parts and no side forces on the cylinder joints. A consequence of this novel design as a 10 piston motor is the significant reduction in dimensions. Especially the diameter is limited to a value of motors with half of its capacity. Performances reached by this motor type are improved with reference to other motors of same displacement. Another advantage stems from the geometrical arrangement of the 10 - 14 pistons, that results in a static balance of the motor shaft and in a great reduction of the reaction forces on the bearings with consequent large extension of their life time.

## TIMING SYSTEM

The timing system is realized by means of a rotary valve (5) driven by the rotary valve driving shaft (8) that it is connected to the rotating shaft. The rotary valve rotates between the rotary valve plate (6) and the reaction ring (7) which are fixed with the motor's housing. This timing system is also of a patented design being pressure balanced and self compensating for thermal expansion. The motor sizes from MRTE 16500 to MRTE 23000 are available with large timing system option that allows higher motor power performances as well as the possibility to have a throughhollow shaft (see pages 5, 18-19).

## EFFICIENCY

The advantages of this type of valve coupled with a revolutionary cylinder arrangement produce a motor with extremely high values of mechanical and volumetric efficiency. The torque output is smooth even at very low speed and the motor gives a high performance starting under load.

## TECHNICAL DATA - MOTOR TYPE MRT - MRTE - MRTF

### STANDARD TIMING TECHNICAL DATA

Size Motor version	Displacement	Moment inertia of rotating parts	Theoretical specific torque	Min. start. torque % Theoretical torque	Maximum Pressure					Speed range		Maximum output power		Weight
					input					flushing		flushing		
					cont.	int.	peak	A+B *	Drain	without	with	without	with	
					p	p	p	p	p	n	n	P	P	
	V	J		%	p	p	p	p	p	n	n	P	P	m
	cm <sup>3</sup>	kg m <sup>2</sup>	Nm/bar		bar	bar	bar	bar	bar	rpm	rpm	kW	kW	kg
<b>MRT 7100</b>	7104,4	0,82	113,1	91	250	300	420	400	5 (15 bar with "F1" shaft seal)	0,5-75	0,5-150	226	330	920
<b>MRTF 7800</b>	7808,4	0,82	124,3	91	210	250	350	400		0,5-70	0,5-130	191	280	920
<b>MRTE 8500</b>	8517,3	0,82	135,6	91	210	250	350	400		0,5-60	0,5-120	198	290	920
<b>MRT 9000</b>	9005,5	1,32	143,4	91	250	300	420	400		0,5-70	0,5-130	253	370	920
<b>MRTF 9900</b>	9903,9	1,32	157,7	91	210	250	350	400		0,5-60	0,5-120	205	300	920
<b>MRTE 10800</b>	10802,4	1,32	172,0	91	210	250	350	400		0,5-65	0,5-110	212	310	920
<b>MRT 14000</b>	14010	126	223,0	91	250	300	420	400		0,5-50	0,5-80	238	355	3100
<b>MRTF 15500</b>	15277	126	243,1	91	210	250	350	400		0,5-40	0,5-75	204	305	3115
<b>MRTE 16500</b>	16543	126	263,3	91	210	250	350	400		0,5-40	0,5-70	206	308	3130
<b>MRT 17000</b>	16759	126	266,7	91	250	300	420	400		0,5-40	0,5-70	248	371	3100
<b>MRTF 18000</b>	18025	126	286,8	91	210	250	350	400		0,5-40	0,5-65	215	320	3115
<b>MRT 19500</b>	19508	126	310,5	91	250	300	420	400		0,5-35	0,5-60	248	371	3100
<b>MRTE 20000</b>	19788	126	314,9	91	210	250	350	400		0,5-35	0,5-60	212	316	3130
<b>MRTF 21500</b>	21271	126	338,5	91	210	250	350	400		0,5-30	0,5-55	209	311	3115
<b>MRTE 23000</b>	23034	126	366,6	91	210	250	350	400		0,5-30	0,5-50	205	306	3100

### SPECIAL TIMING TECHNICAL DATA (please contact PARKER Calzoni)

Size Motor version	Displacement	Moment inertia of rotating parts	Theoretical specific torque	Min. start. torque % Theoretical torque	Maximum Pressure					Speed range		Maximum output power		Weight
					input					flushing		flushing		
					cont.	int.	peak	A+B *	Drain	without	with	without	with	
					p	p	p	p	p	n	n	P	P	
	V	J		%	p	p	p	p	p	n	n	P	P	m
	cm <sup>3</sup>	kg m <sup>2</sup>	Nm/bar		bar	bar	bar	bar	bar	rpm	rpm	kW	kW	kg
<b>MRTE 16500</b>	16543	126	263,3	91	210	250	350	400	5 (15 bar with "F1" shaft seal)	0,5-50	0,5-80	236	352	3130
<b>MRT 17000</b>	16759	126	266,7	91	250	300	420	400		0,5-50	0,5-80	284	425	3100
<b>MRTF 18000</b>	18025	126	286,8	91	210	250	350	400		0,5-50	0,5-80	248	370	3115
<b>MRT 19500</b>	19508	126	310,5	91	250	300	420	400		0,5-50	0,5-80	331	494	3100
<b>MRTE 20000</b>	19788	126	314,9	91	210	250	350	400		0,5-45	0,5-75	265	395	3130
<b>MRTF 21500</b>	21271	126	338,5	91	210	250	350	400		0,5-45	0,5-75	284	425	3115
<b>MRTE 23000</b>	23034	126	366,6	91	210	250	350	400		0,5-45	0,5-75	308	460	3100

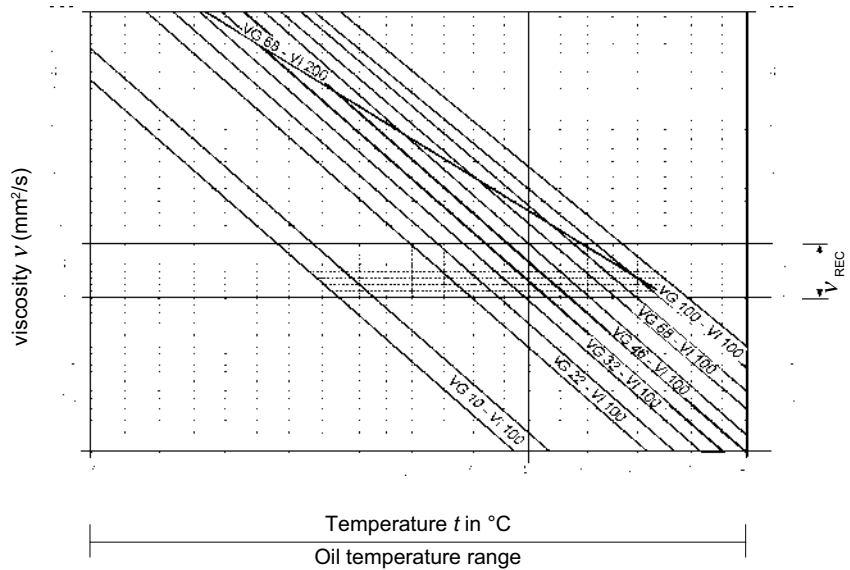
(\*) Please consult PARKER Calzoni

**EXAMPLE:** At a certain ambient temperature, the operating temperature in the circuit is 50°C. In the optimum operating viscosity range ( $v_{rec}$ : shaded section), this corresponds to viscosity grades VG 46 or VG 68; VG 68 should be selected.

**IMPORTANT:** The drain oil temperature is influenced by pressure and speed and is usually higher than the circuit temperature or the tank temperature. At no point in the system, however, may the temperature be higher than 80°C.

If the optimum conditions cannot be met due to the extreme operating parameters or high ambient temperature, we always recommend flushing the motor case in order to operate within the viscosity limits.

Should it be absolutely necessary to use a viscosity beyond the recommended range, you should first contact PARKER Calzoni for confirmation.



**GENERAL NOTES**

More detailed information regarding the choice of the fluid can be requested to PARKER Calzoni. Further notes on installation and commissioning can be found on page 34 of this data sheet. When operating with HF pressure fluids or bio-degradable pressure fluids possible limitations of the technical data must be taken into consideration, please see information sheet TCS 85, or consult PARKER Calzoni.

**OPERATING VISCOSITY RANGE**

The viscosity, quality and cleanliness of operating fluids are decisive factors in determining the reliability, performance and life-time of an hydraulic component. The maximum life-time and performance are achieved within the recommended viscosity range. For applications that go beyond this range, we recommend to contact PARKER Calzoni.

$$v_{rec} = \text{recommended operating viscosity } 30...50 \text{ mm}^2/\text{s}$$

This viscosity refers to the temperature of the fluid entering the motor, and at the same time to the temperature inside the motor housing (case temperature). We recommend to select the viscosity of the fluid based on the maximum operating temperature, to remain within the recommended viscosity range. To reach the value of maximum continuous power the operating viscosity should be within the recommended viscosity range of 30 - 50 cSt.

For limit conditions the following is valid:

$$v_{min.abs.} = 10 \text{ mm}^2/\text{s} \text{ in emergency, short term}$$

$$v_{min.} = 18 \text{ mm}^2/\text{s} \text{ for continuous operation at reduced performances}$$

$$v_{max.} = 1000 \text{ mm}^2/\text{s} \text{ short term upon cold start}$$

**LIMITS OF VISCOSITY RANGE**

**CHOOSING THE TYPE OF FLUID ACCORDING TO THE OPERATING TEMPERATURE**

The operating temperature of the motor is defined as the greater temperature between that of the incoming fluid and that of the fluid inside the motor housing (case temperature). We recommend that you choose the viscosity of the fluid based on the maximum operating temperature, to remain within the recommended viscosity range (see diagram). We recommend that the higher viscosity grade must be selected in each case.

**FILTRATION**

The motor life also depends on the fluid filtration. At least it must correspond to one of the following cleanliness.

- class 9 according to NAS 1638
- class 6 according to SAE, ASTM, AIA
- class 18/15 according to ISO/DIS 4406

In order to assure a longer life a cleanliness class 8 to NAS 1638 is recommended, achieved with a filter of  $\beta_3=100$ . In case the above mentioned classes can not be achieved, please consult us.

**CASE DRAIN PRESSURE**

The lower the speed and the case drain pressure, the longer the life of the shaft seal. The maximum permissible housing pressure is

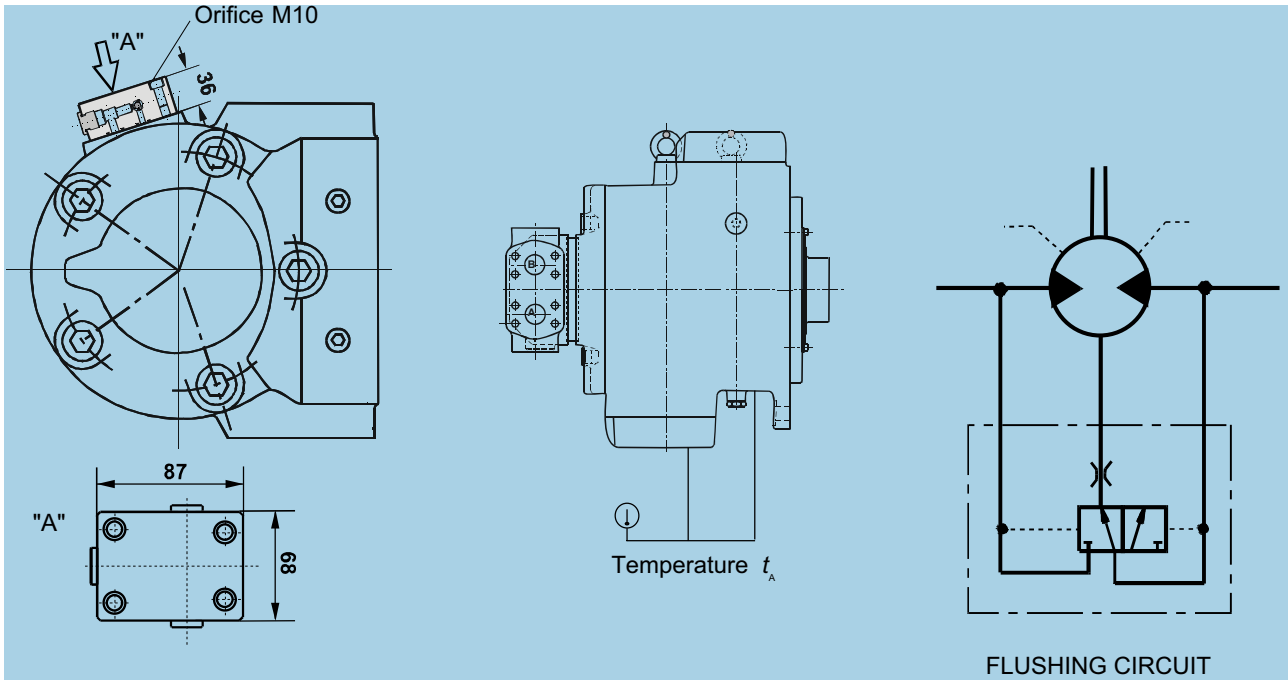
$$p_{max} = 5 \text{ bar}$$

If the case drain pressure is higher than 5 bar it is possible to use a special 15 bar shaft seal (see page 23, Seals, Code "F1").

**"FPM" SEALS**

In case of operating conditions with high oil temperature or high ambient temperature, we recommend to use "FPM" seals (see page 23, Seals, Code "V1"). These "FPM" seals should be used with HFD fluids.

## FLUSHING PROCEDURE - MOTOR TYPE MRT - MRTE - MRTF



### FLUSHING PROCEDURE

In order to achieve the maximum continuous performance values the flushing of the housing is necessary (see diagrams pages 8 to 12).

Under special conditions, in order to achieve the recommended operating viscosity of 30 - 50 mm<sup>2</sup>/s in the motor housing, the flushing of the motor may be necessary also in the "operating area without flushing" see page 6 and the "operating diagram" page 7 to 12.

### NOTE1:

The oil temperature inside the motor housing is obtainable by adding 3° C to the motor housing surface temperature, measured between two cylinders ( $t_A$ , see figures).

### FUNCTION:

The flushing valve takes the flushing flow always from the low pressure line of the motor. The diameter of the orifice has to be chosen in order to supply the recommended quantity of flushing flow of 23 l/min.

BACK PRESSURE (bar)	ORIFICE DIAMETER (mm)
3	4,8
6	4,0
9	3,6
15	3,2
20	3,0
25	2,9
30	2,8

### NOTE2:

**The flushing valve is delivered with a "closed" orifice.**

**Caution:**

**Flushing does not work until the "closed" orifice is replaced by the proper one.**

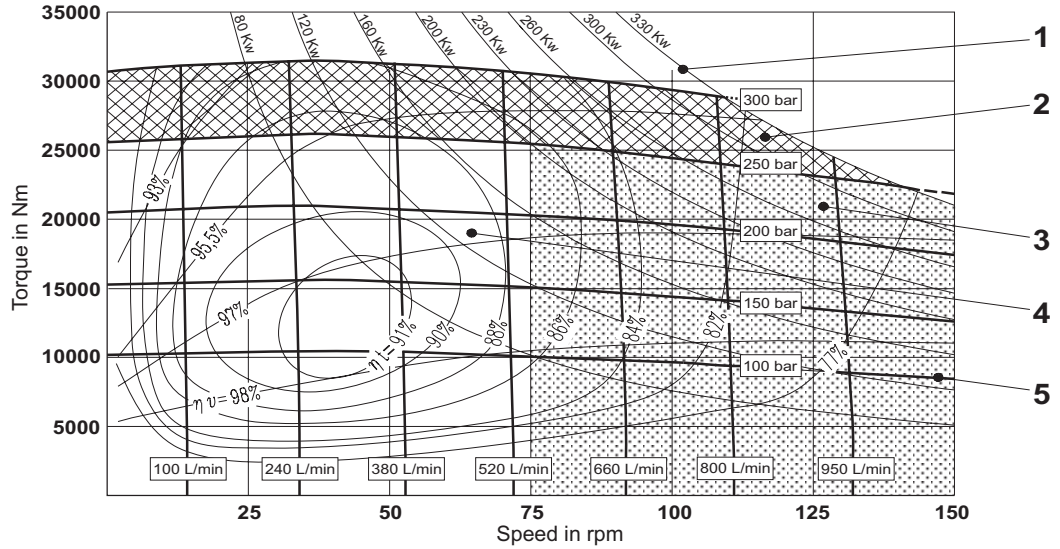
# OPERATING DIAGRAM - MOTOR TYPE MRT - MRTE - MRTF

## OPERATING DIAGRAM

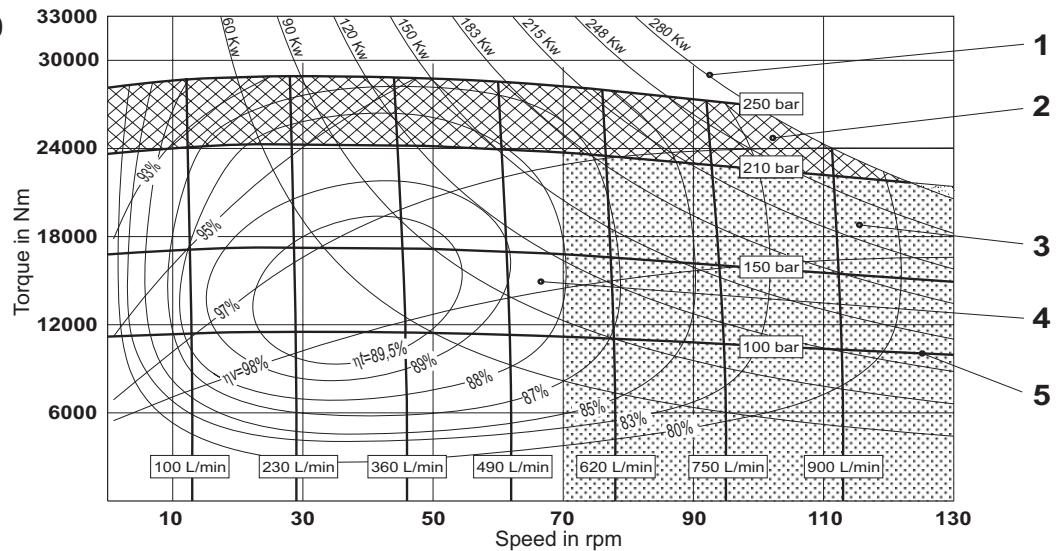
(average values) measured at  $V = 36 \text{ mm}^2/\text{s}$ ;  $t = 45^\circ \text{ C}$ ;  $p_{\text{outlet}} = 0 \text{ bar}$

- 1 Output power      2 Intermittent operating area      3 Continuous operating area with flushing  
 4 Continuous operating area      5 Inlet pressure       $\eta_t$  Total efficiency       $\eta_v$  Volumeter efficiency

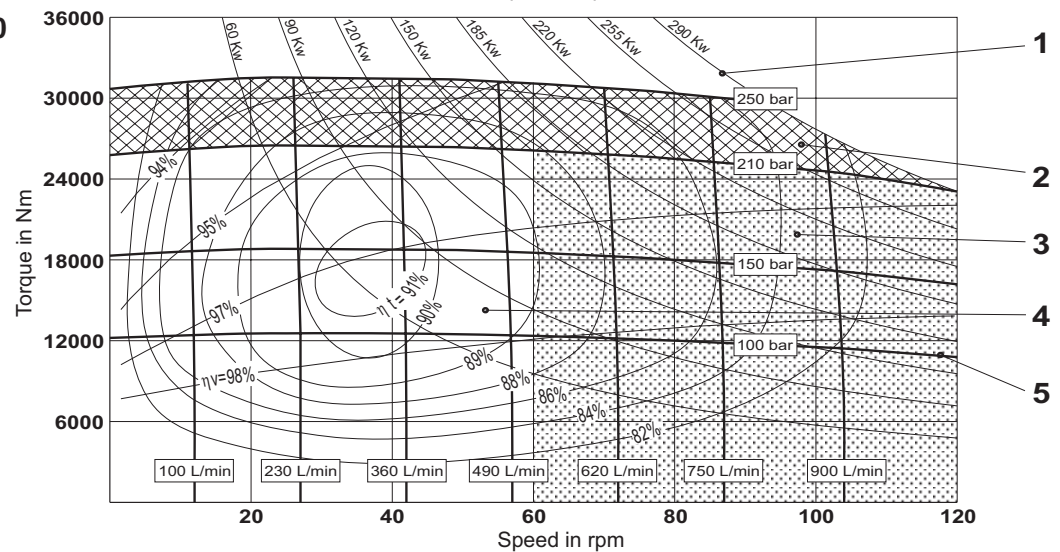
### MRT 7100



### MRTF 7800



### MRTE 8500





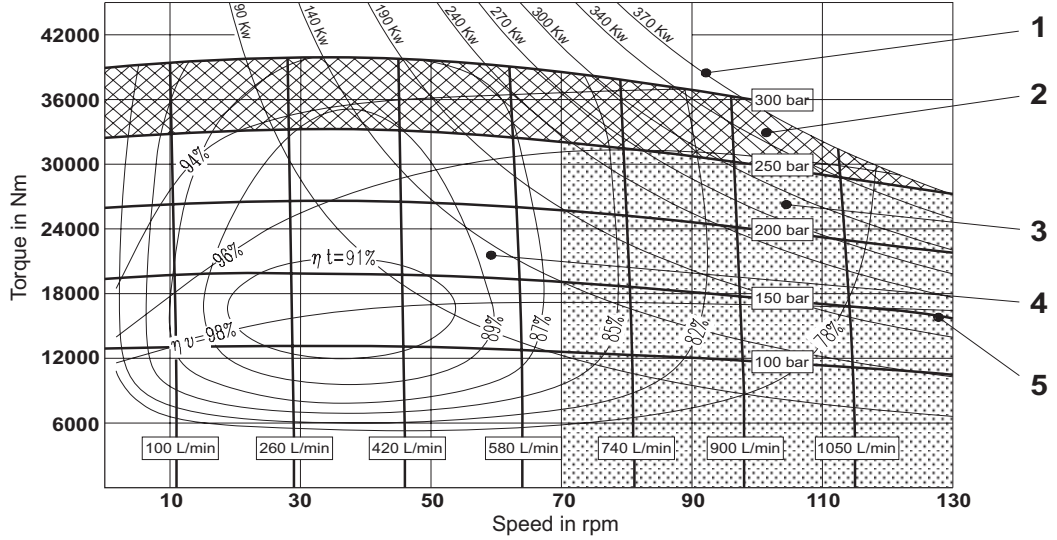
# OPERATING DIAGRAM - MOTOR TYPE MRT - MRTE - MRTF

## OPERATING DIAGRAM

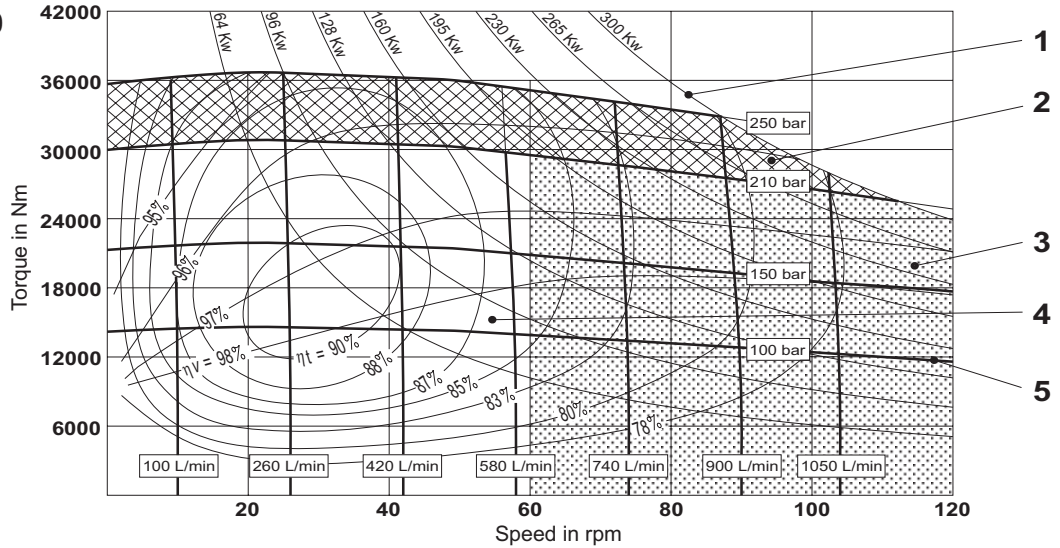
(average values) measured at  $V = 36 \text{ mm}^2/\text{s}$ ;  $t = 45^\circ \text{ C}$ ;  $p_{\text{outlet}} = 0 \text{ bar}$

- 1 Output power
- 2 Intermittent operating area
- 3 Continuous operating area with flushing
- 4 Continuous operating area
- 5 Inlet pressure
- $\eta_t$  Total efficiency
- $\eta_v$  Volumeter efficiency

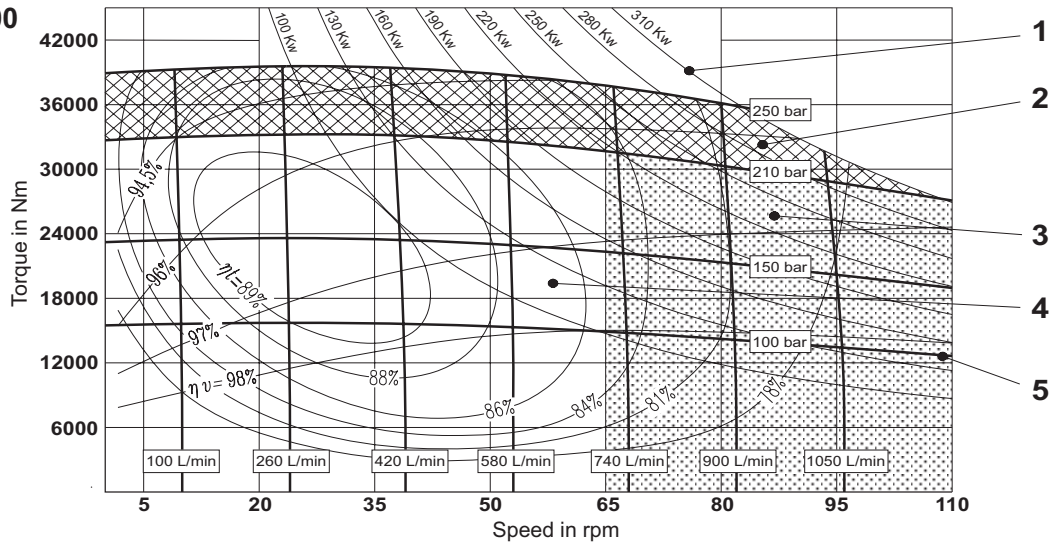
### MRT 9000



### MRTF 9900



### MRTE 10800



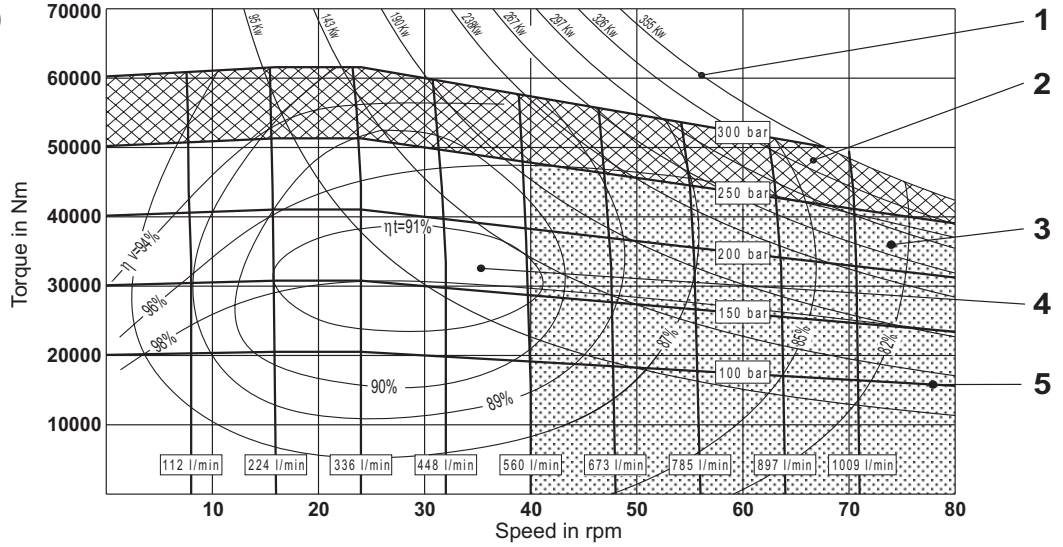
# OPERATING DIAGRAM - MOTOR TYPE MRT - MRTE - MRTF

## OPERATING DIAGRAM

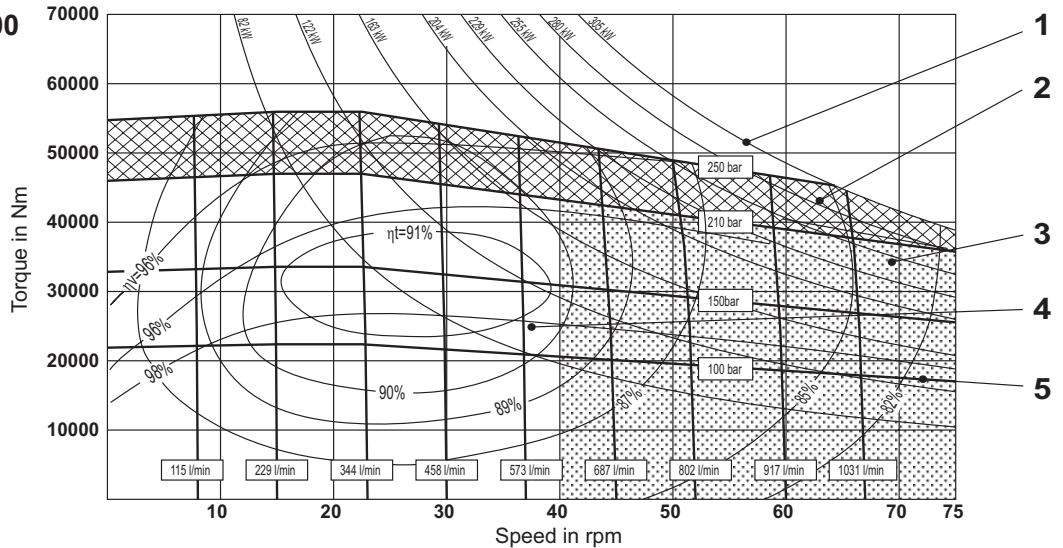
(average values) measured at  $V = 36 \text{ mm}^2/\text{s}$ ;  $t = 45^\circ \text{ C}$ ;  $p_{\text{outlet}} = 0 \text{ bar}$

- 1 Output power
- 2 Intermittent operating area
- 3 Continuous operating area with flushing
- 4 Continuous operating area
- 5 Inlet pressure
- $\eta_t$  Total efficiency
- $\eta_v$  Volumeter efficiency

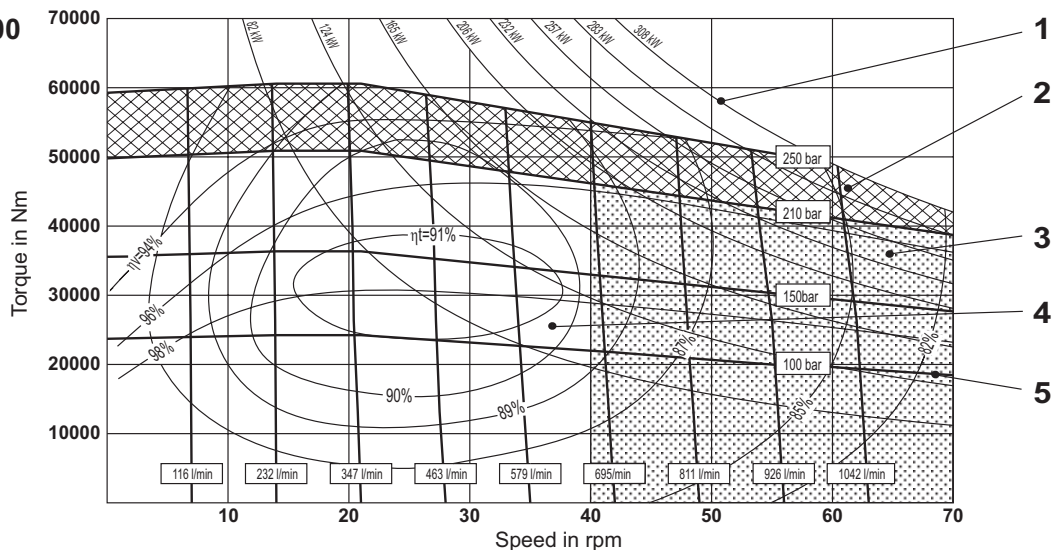
**MRT 14000**



**MRTF 15500**



**MRTE 16500**



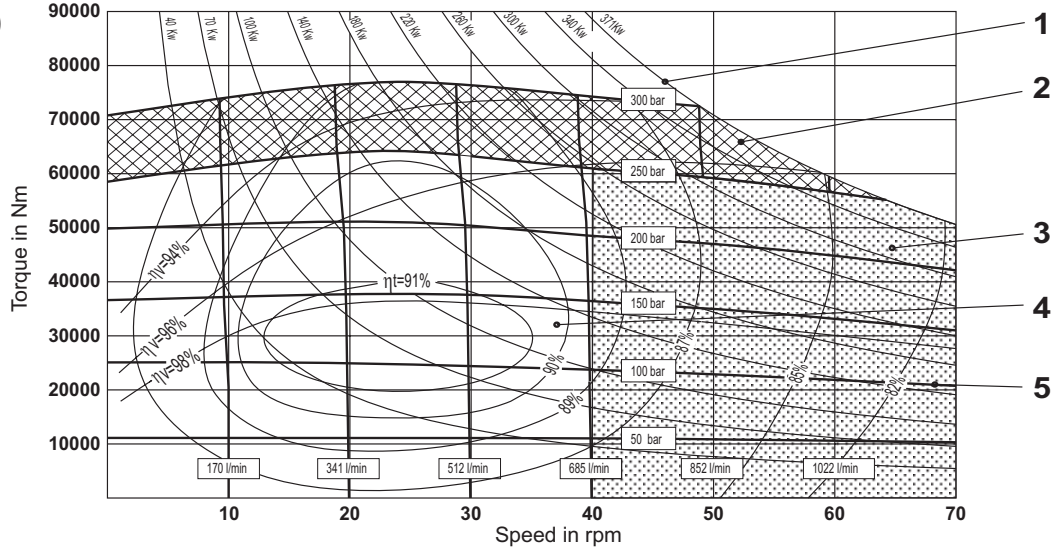
# OPERATING DIAGRAM - MOTOR TYPE MRT - MRTE - MRTF

## OPERATING DIAGRAM

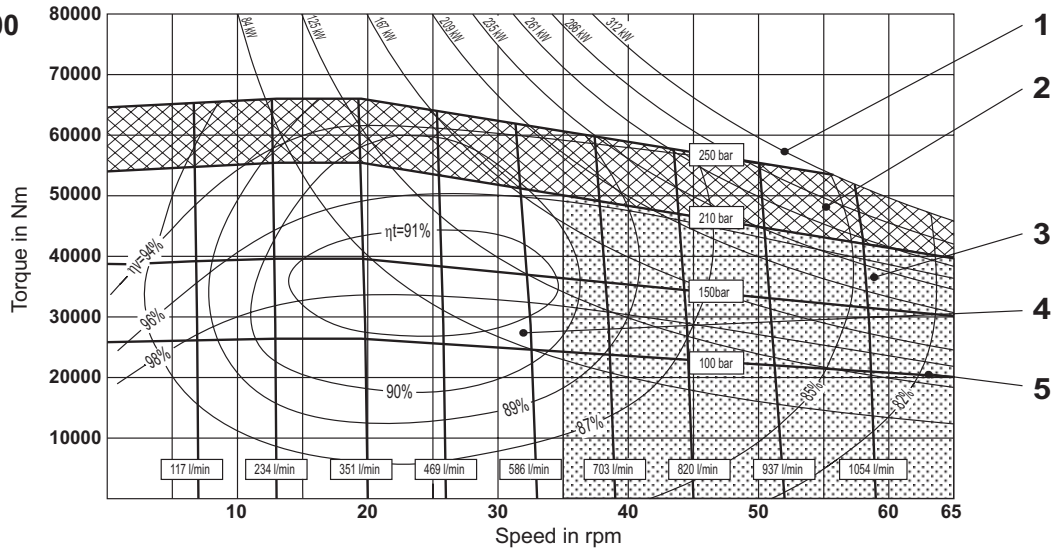
(average values) measured at  $V = 36 \text{ mm}^2/\text{s}$ ;  $t = 45^\circ \text{ C}$ ;  $p_{\text{outlet}} = 0 \text{ bar}$

- 1 Output power
- 2 Intermittent operating area
- 3 Continuous operating area with flushing
- 4 Continuous operating area
- 5 Inlet pressure
- $\eta_t$  Total efficiency
- $\eta_v$  Volumeter efficiency

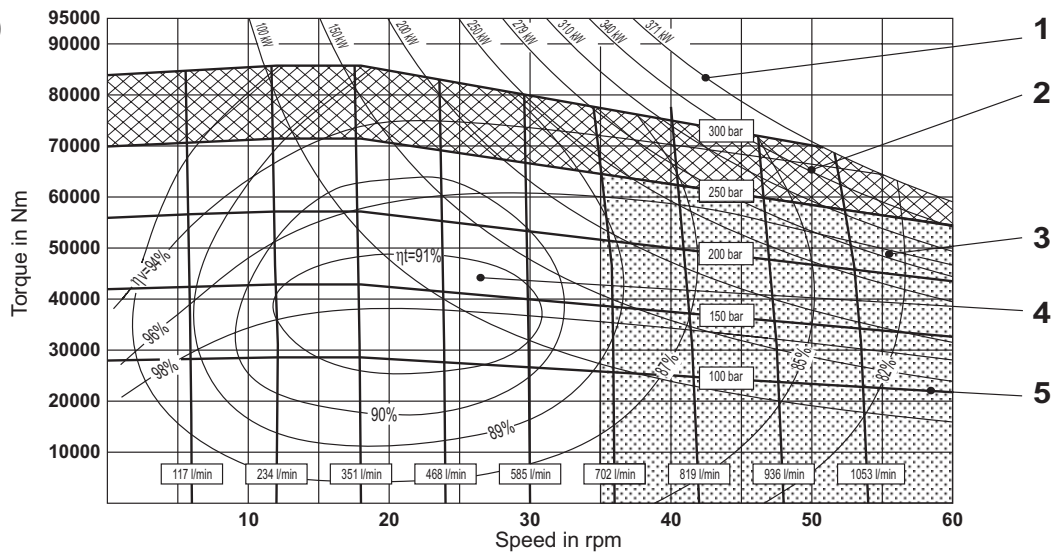
### MRT 17000



### MRTF 18000



### MRT 19500



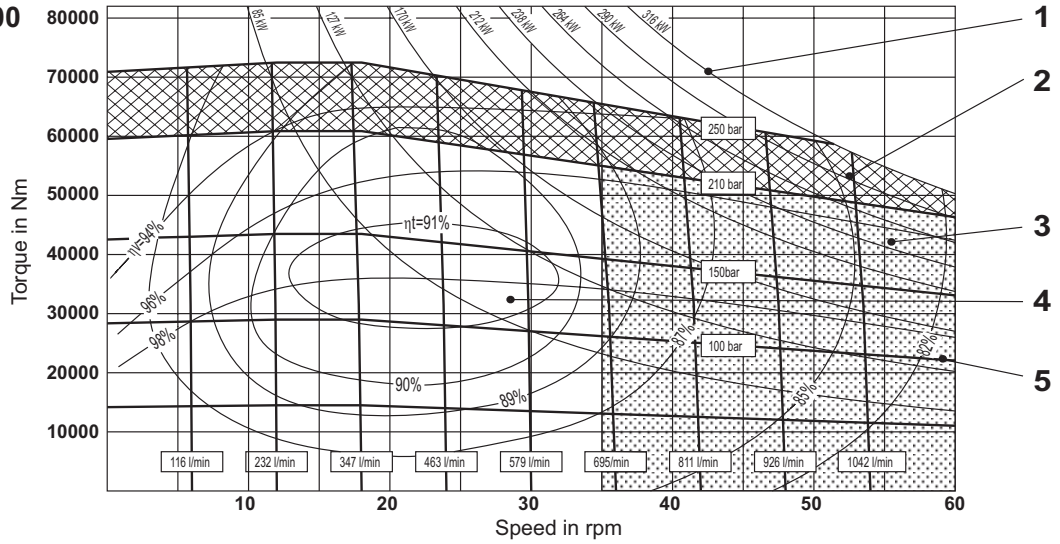
# OPERATING DIAGRAM - MOTOR TYPE MRT - MRTE - MRTF

## OPERATING DIAGRAM

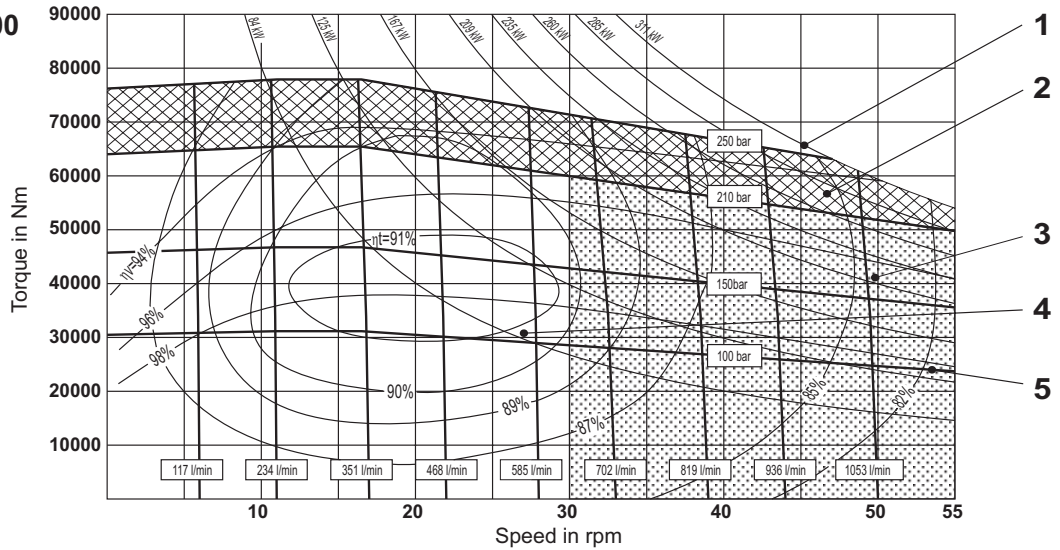
(average values) measured at  $V = 36 \text{ mm}^2/\text{s}$ ;  $t = 45^\circ \text{ C}$ ;  $p_{\text{outlet}} = 0 \text{ bar}$

- 1 Output power
- 2 Intermittent operating area
- 3 Continuous operating area with flushing
- 4 Continuous operating area
- 5 Inlet pressure
- $\eta_t$  Total efficiency
- $\eta_v$  Volumeter efficiency

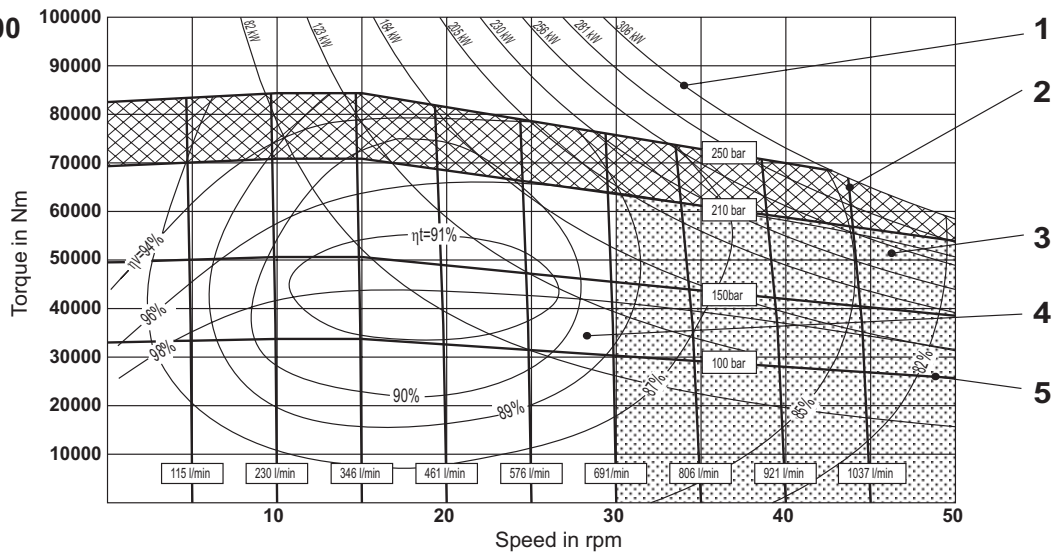
### MRTE 20000



### MRTF 21500



### MRTE 23000

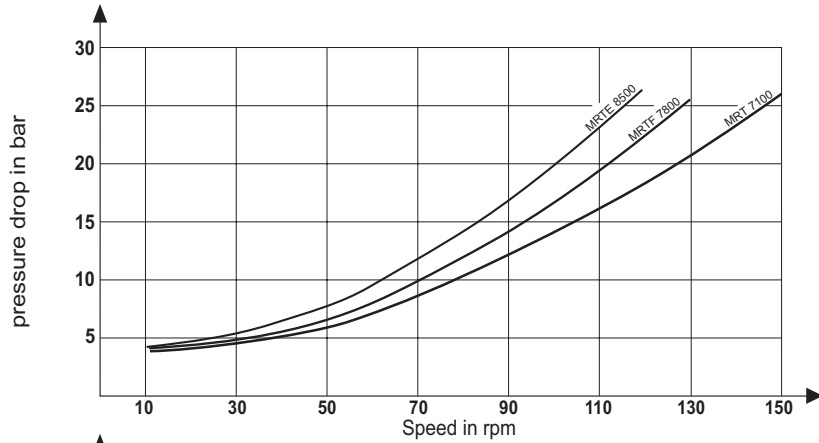


## OPERATING DIAGRAM - MOTOR TYPE MRT - MRTE - MRTF

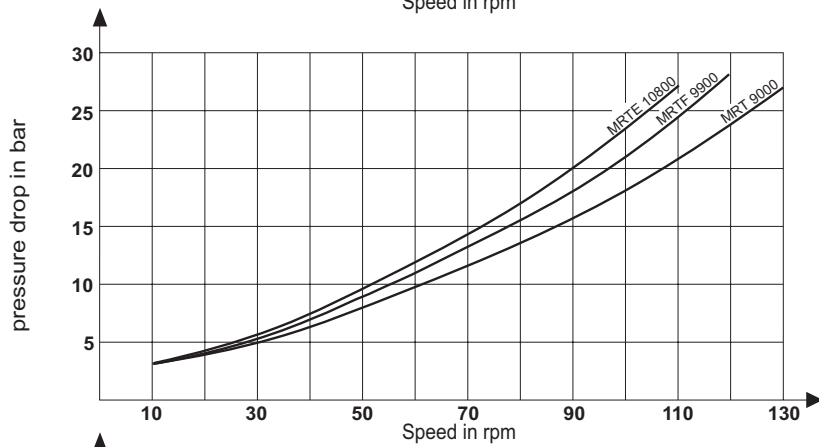
**OPERATING DIAGRAM** (average values) measured at  $V = 36 \text{ mm}^2/\text{s}$ ;  $t = 45^\circ \text{ C}$ ;  $p_{\text{outlet}} = 0 \text{ bar}$

Min. required pressure difference  $\Delta p$  with idling speed (shaft unloaded)

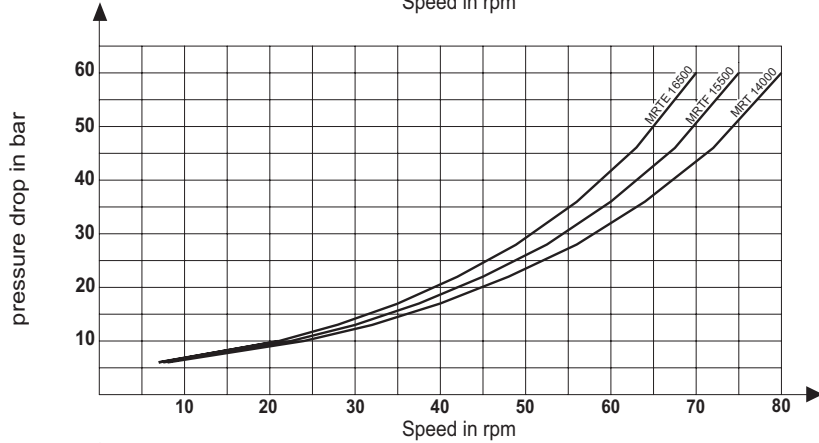
**MRT - MRTE - MRTF  
7100 - 8500**



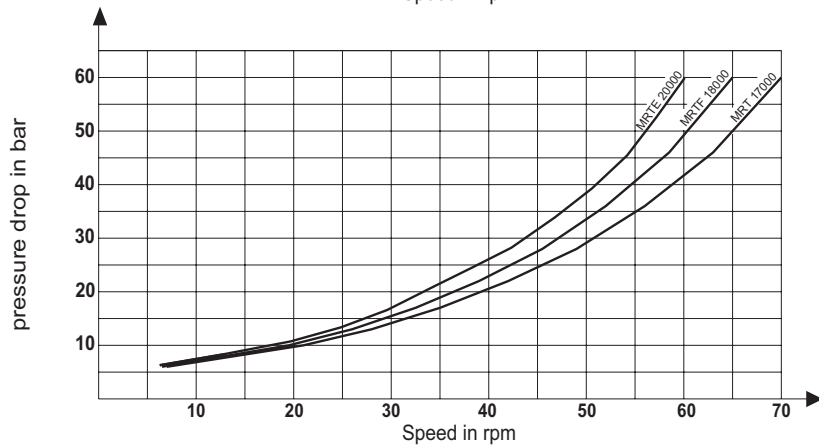
**MRT - MRTE - MRTF  
9000 - 10800**



**MRT - MRTE - MRTF  
14000 - 16500**



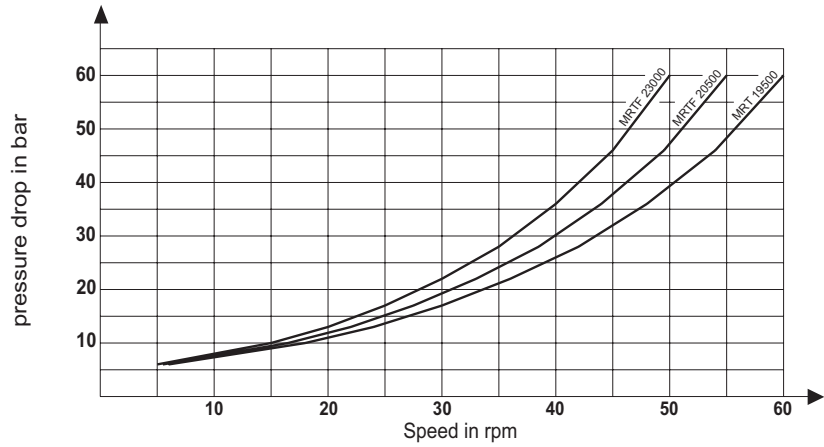
**MRT - MRTE - MRTF  
17000 - 20000**



## OPERATING DIAGRAM - MOTOR TYPE MRT - MRTE - MRTF

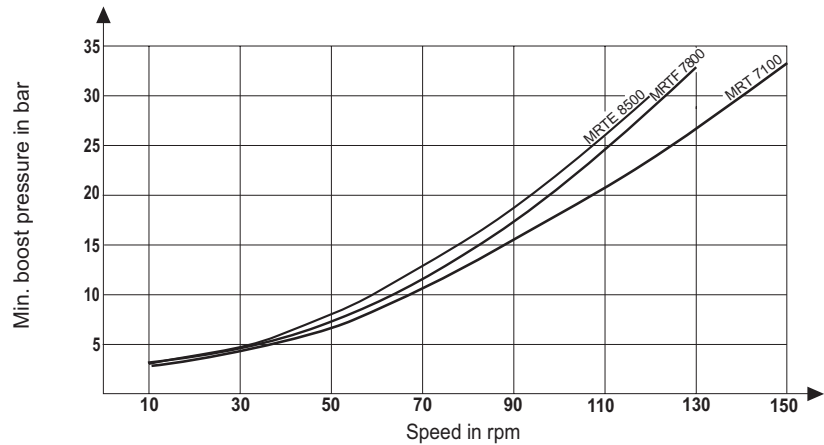
**OPERATING DIAGRAM** (average values) measured at  $V = 36 \text{ mm}^2/\text{s}$ ;  $t = 45^\circ \text{ C}$ ;  $p_{\text{outlet}} = 0 \text{ bar}$   
**Min. required pressure difference  $\Delta p$  with idling speed (shaft unloaded)**

**MRT - MRTE - MRTF**  
**19500 - 23000**

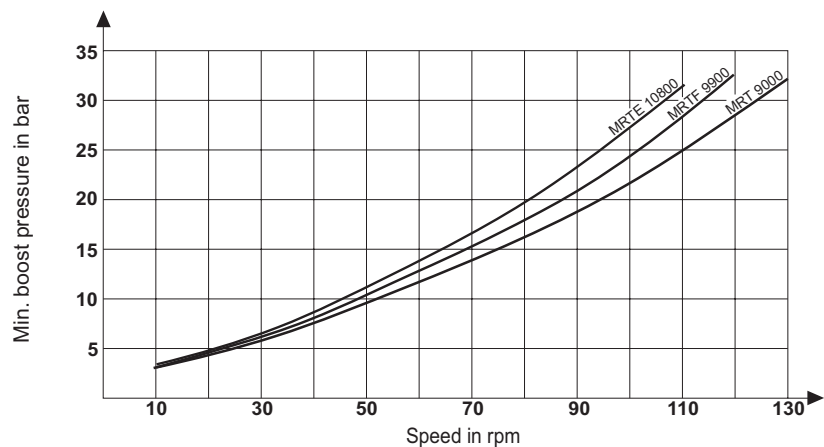


**Minimum boost pressure during pump operation**

**MRT - MRTE - MRTF**  
**7100 - 8500**



**MRT - MRTE - MRTF**  
**9000 - 10800**

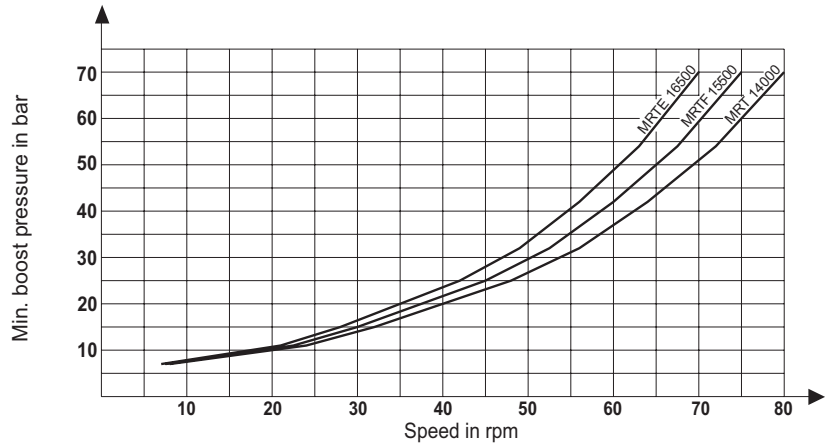


## OPERATING DIAGRAM - MOTOR TYPE MRT - MRTE - MRTF

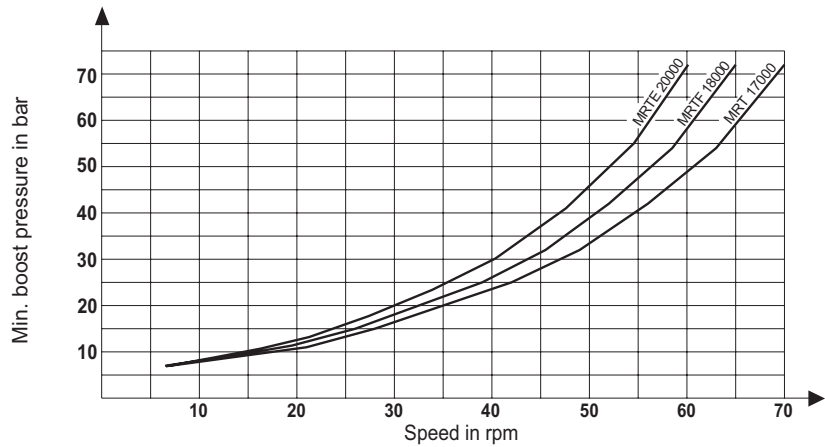
**OPERATING DIAGRAM** (average values) measured at  $V = 36 \text{ mm}^2/\text{s}$ ;  $t = 45^\circ \text{ C}$ ;  $p_{\text{outlet}} = 0 \text{ bar}$

**Minimum boost pressure during pump operation**

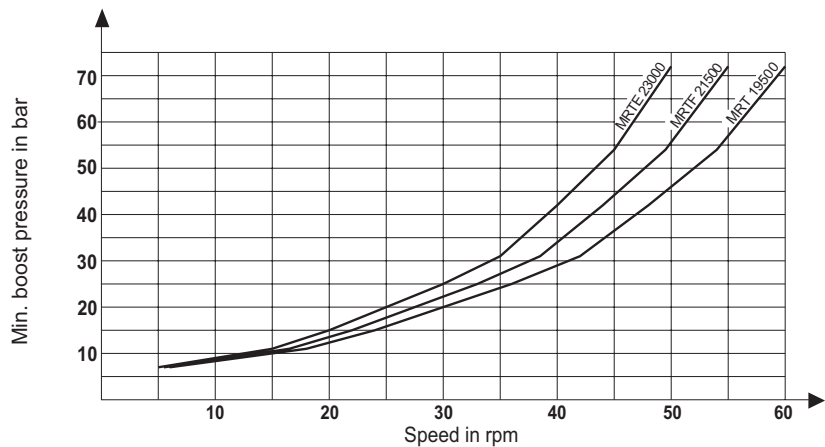
**MRT - MRTE - MRTF  
14000 - 16500**

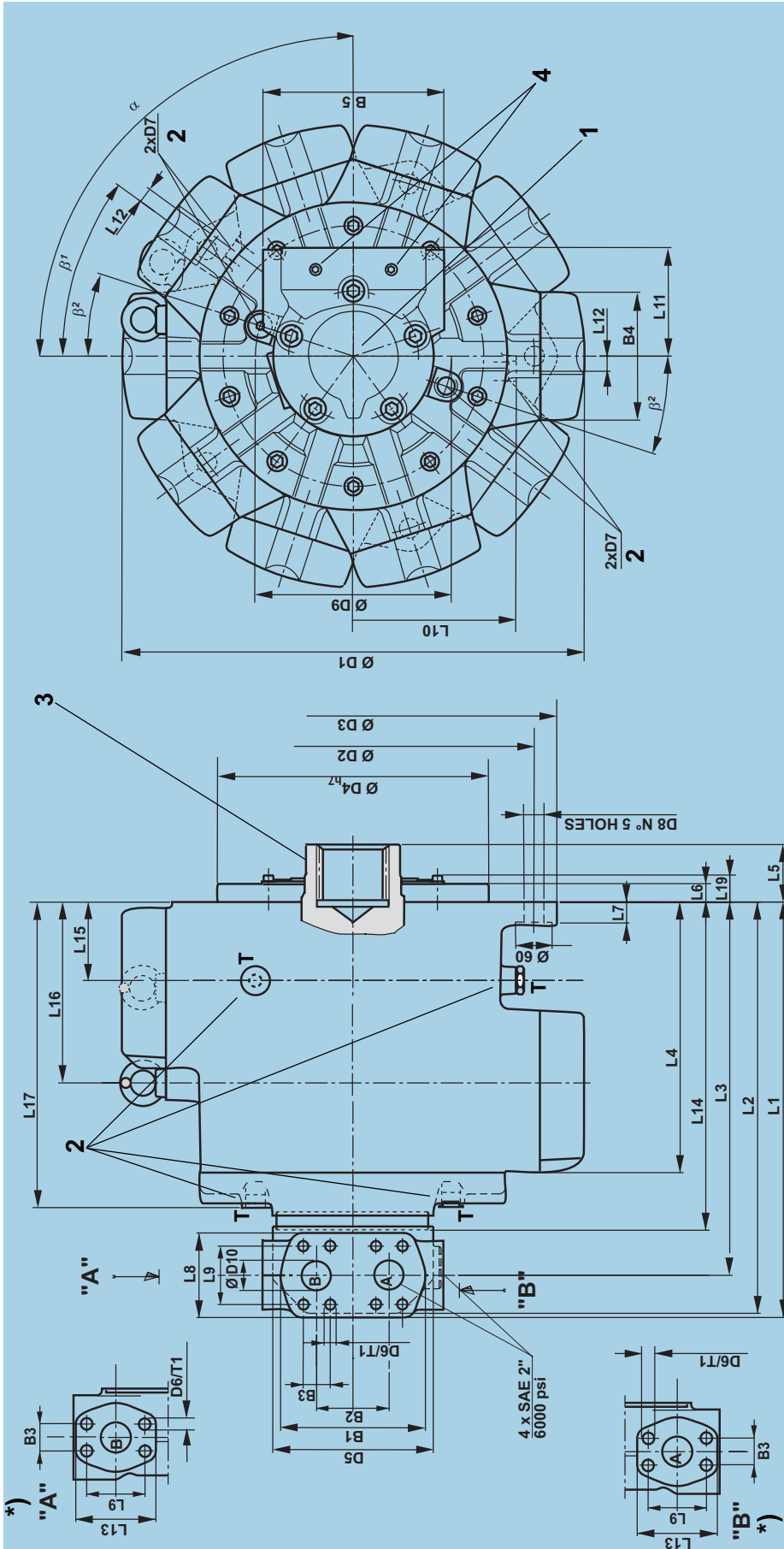


**MRT - MRTE - MRTF  
17000 - 20000**



**MRT - MRTE - MRTF  
19500 - 23000**





Dir. of Rotation (Viewed on shaft end)	Port inlet	ordering code (see page23)
clockwise	A	"N"
anti-clockwise	B	"S"
clockwise	B	"S"
anti-clockwise	A	"S"

- 2 Case drain port  
BSP threads to ISO 228/1
- 3 See dimensions at page 17
- 4 Port 1/4" BSP threads to ISO 228/1  
for pressure reading.

- 1 On request port flange can be rotated by 72°
- \*) These SAE ports are present only in the  
MRT 9000P, MRTF 9900P, MRTE 10800P,  
MRT 14000Q, MTRF15500Q, MRTE16500,  
MRT 17000Q, MRTF 18000Q, MRT 19500Q,  
MRTE 20000Q, MRTF 21500Q e MRTE 23000Q

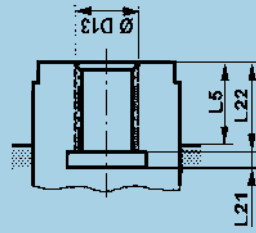


MOTOR DIMENSIONS - MOTOR TYPE MRT - MRTE - MRTF

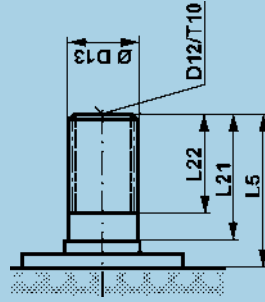
MOTOR TYPE	L1	L2	L3	L4	L6	L7	L8	L9		L10	L11	L12	L13	L14	L15	L16	L17	L19	B1	B2	B3		B4	B5
								SAE 3000 psi	SAE 6000 psi												SAE 3000 psi	SAE 6000 psi		
MRT 7100																								
MRTF 7800																								
MRTE 8500	688,5	681,5	618,5	448,5	30	35	140	77,77	96,8	270	180	25	133	541,5	130	300	503,5	44	240	120	42,88	44,4	212	300
MRT 9000																								
MRTF 9900																								
MRTE 10800																								

MOTOR TYPE	Ø D1	Ø D2	Ø D3	Ø D4 <sub>tr</sub>	Ø D5	D6		T1		D7	Ø D8	Ø D9	Ø D10	α	β <sup>1</sup>	β <sup>2</sup>
						SAE 3000 psi	SAE 6000 psi	SAE 3000 psi	SAE 6000 psi							
MRT 7100																
MRTF 7800																
MRTE 8500	766	600	676	450	266	M12	M20	28	40	G1"	33 (x5)	325	50	90°	36°	18°
MRT 9000																
MRTF 9900																
MRTE 10800																

Code F 1 - DIN 5480



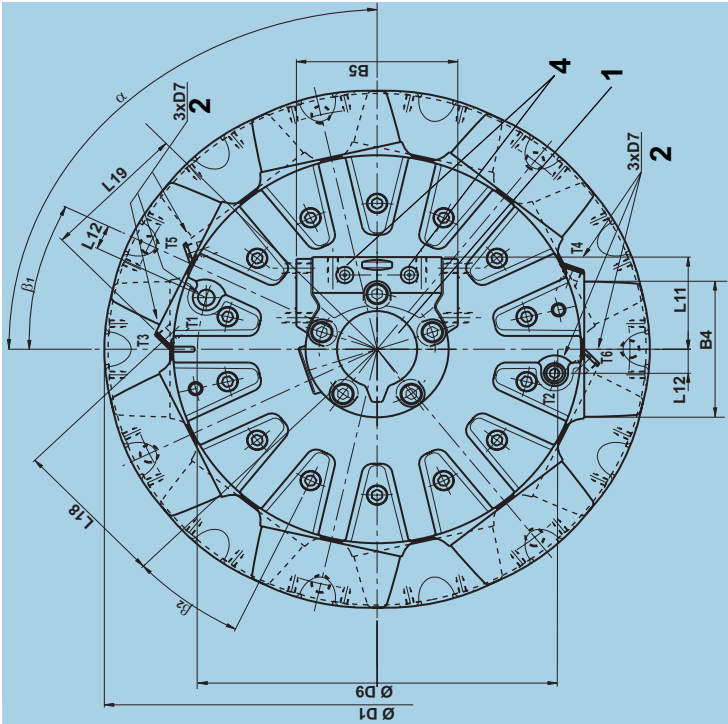
Code D 1 - DIN 5480



MOTOR TYPE	F1				D1			
	L5	L21	L22	Ø D13 DIN 5480	L5	L21	L22	Ø D13 DIN 5480
MRT 7100								
MRTF 7800								
MRTE 8500	50	14	76	N 110x3x35 - 9H	--	--	--	--
MRT 9000								
MRTF 9900								
MRTE 10800	95	14	86	N 120x4x28 - 9H	250	205	167	W 140x5x26 - 8f M12

NOTE: the threaded holes (D12/T10) for the shaft versions "D1" must be considered as service holes. In case the holes dimensions required by the application are different from the ones listed here above, please contact PARKER Calzoni.

MOTOR DIMENSIONS - MOTOR TYPE MRT - MRTE - MRTF



1 On request port flange can be rotated by 72°

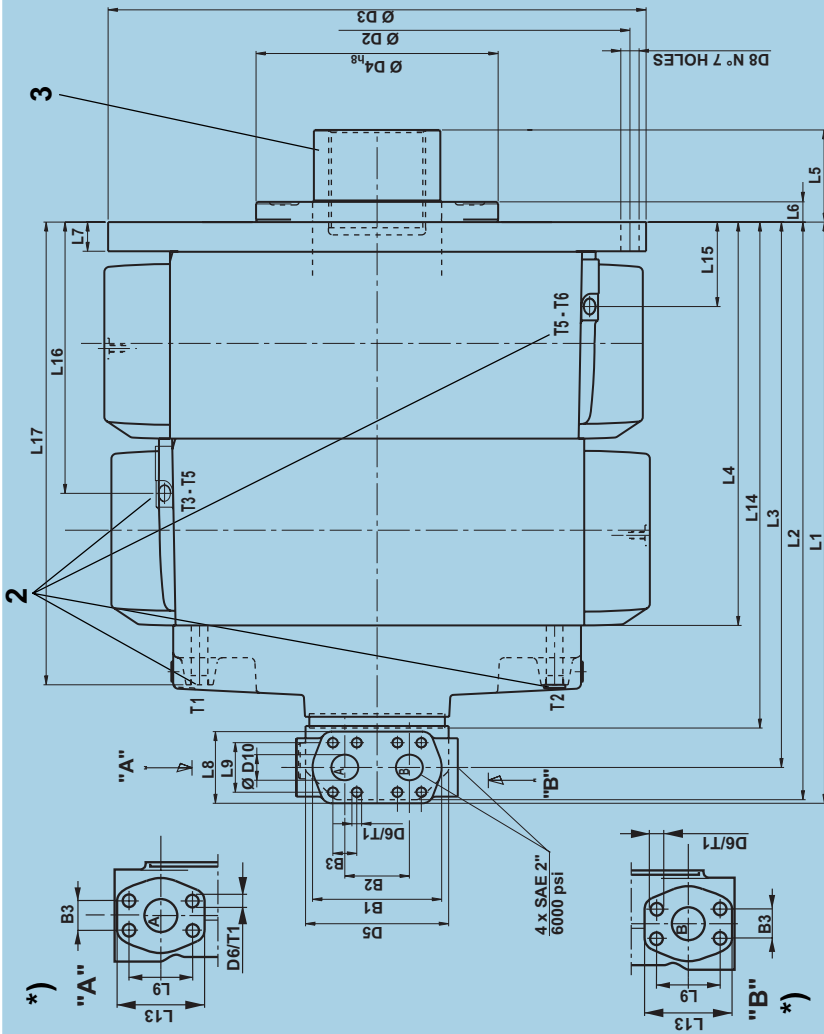
\*) These SAE ports are present only in the  
MRT 14000Q, MTRF15500Q, MRTE16500, MRT 17000Q,  
MRTF 18000Q, MRT 19500Q, MRTE 20000Q, MRTF 21500Q e  
MRTE 23000Q

2 Case drain port BSP threads to ISO 228/1

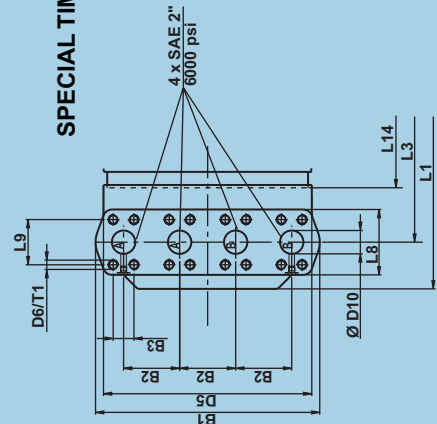
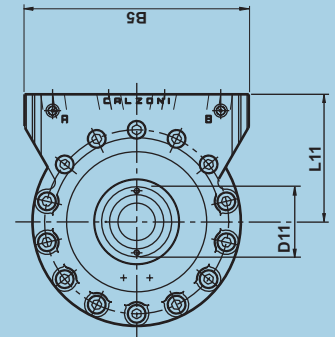
3 See dimensions at page 19

4 Port 1/4" BSP threads to ISO 228/1 for pressure reading.

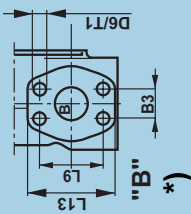
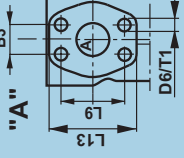
Dir. of Rotation (Viewed on shaft end)	Port inlet	ordering code (see page23)
clockwise	A	"N"
anti-clockwise	B	"S"
clockwise	B	"S"
anti-clockwise	A	"S"



SPECIAL TIMING



\*)

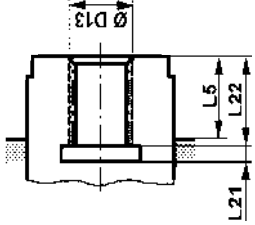


\*)

MOTOR DIMENSIONS - MOTOR TYPE MRT - MRTE - MRTF

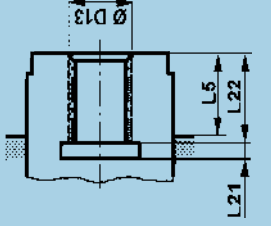
MOTOR TYPE	L1	L2	L3	L4	L5	L6	L7	L8	L9		L11	L12	L13	L14	L15	L16	L17	L18	L19	B1	B2	B3		B4	B5	$\alpha$	$\beta_1$	$\beta_2$
									SAE 3000 psi	SAE 6000 psi														SAE 3000 psi	SAE 6000 psi			
MRT 14000																												
MRTF 15500																												
MRTE 16500																												
MRT 17000																												
MRTF 18000	1135,5	1128,5	1065,5	788	80	39,5	58	140	77,77	96,8		47	133	988,5	165	530	904	289	270	240	120			42,88	44,4	300	25°41'	20°
MRT 19500																												
MRTE 20000																												
MRTF 21500																												
MRTE 23000																												

MOTOR TYPE	$\varnothing$ D1	$\varnothing$ D2	$\varnothing$ D3	$\varnothing$ D4 <sub>17</sub>	$\varnothing$ D5	D6		T1		D7	$\varnothing$ D8	$\varnothing$ D9	$\varnothing$ D10	Code F 1 - DIN 5480				
						SAE 3000 psi	SAE 6000 psi	SAE 3000 psi	SAE 6000 psi						L5	L21	L22	$\varnothing$ D13 DIN 5480
MRT 14000																		
MRTF 15500																		
MRTE 16500																		
MRT 17000																		
MRTF 18000	1014	856	930,5	450	266	M12	M20	28	40	G1"	34 (x7)	666,6	50		80	14	155	N 150x4x36 - 9H
MRT 19500																		
MRTE 20000																		
MRTF 21500																		
MRTE 23000																		



SPECIAL TIMING DIMENSIONS (please contact DENISON Calzoni)

Tipo e MOTOR TYPE	L1	L3	L5	L8	L9		L11	B1	B2	B3		B5	D6		T1		D7	$\varnothing$ D9	$\varnothing$ D10	$\varnothing$ D11	Code F 1 - DIN 5480				
					SAE 3000 psi	SAE 6000 psi				SAE 3000 psi	SAE 6000 psi	SAE 3000 psi	SAE 6000 psi	SAE 3000 psi	SAE 6000 psi	SAE 3000 psi	SAE 6000 psi				L5	L21	L22	$\varnothing$ D13 DIN 5480	
MRTE 16500																									
MRT 17000																									
MRTF 18000																									
MRT 19500	1177	1077	82	140	77,77	968	273	960,5	480	120	42,88	44,4	446	M12	M20	28	40	G1"	666,6	50	80	82	14	155	N 150x4x36 - 9H
MRTE 20000																									
MRTF 21500																									
MRTE 23000																									



MECHANICAL  
TACHOMETER DRIVE

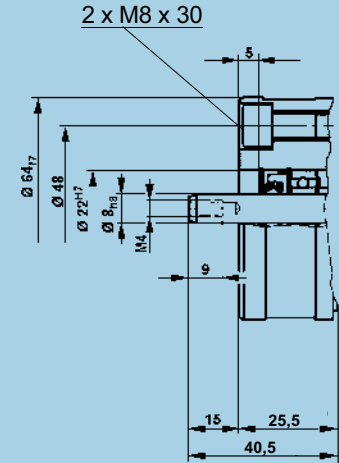
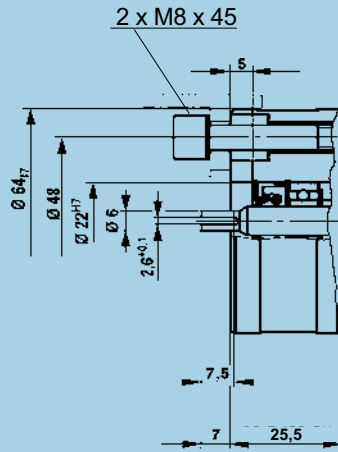
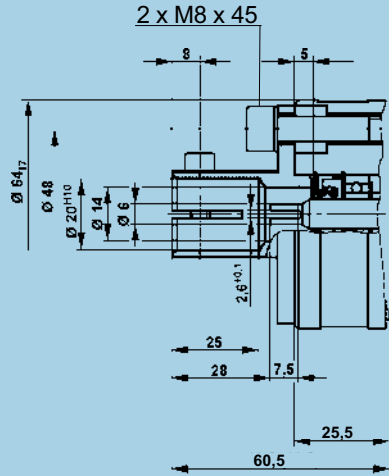
TACHOGENERATOR  
DRIVE

ENCODER  
DRIVE

Code "C1"

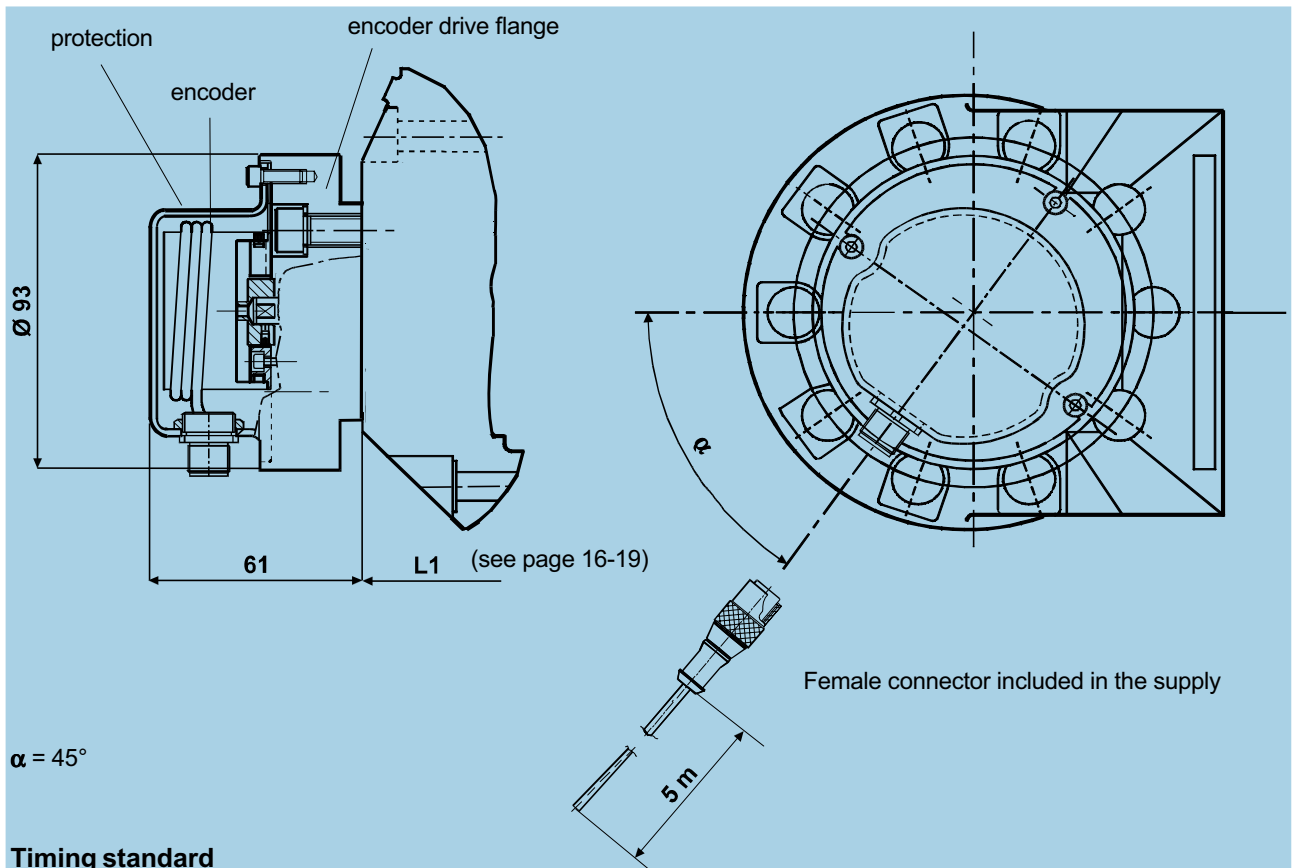
Code "T1"

Code "Q1"



Timing standard

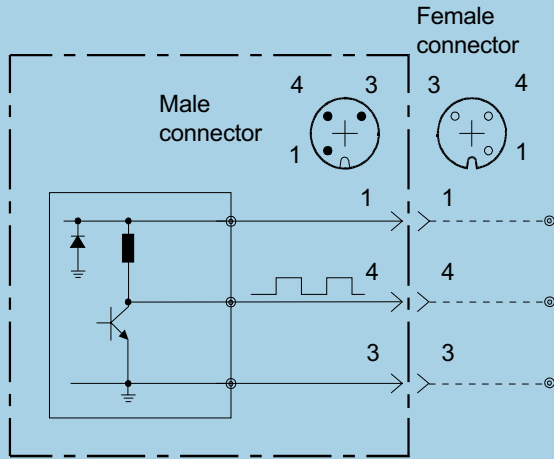
INCREMENTAL ENCODER  
DIMENSIONS



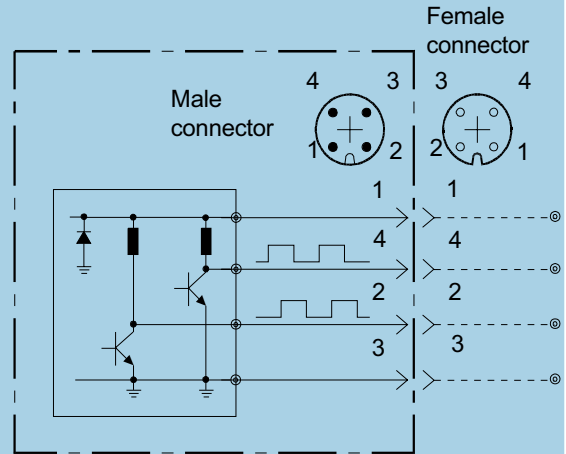
Timing standard

**INCREMENTAL ENCODER  
CONNECTION DIAGRAMS**

**Monodirectional**



**Bidirectional**



**Color wires and function**

<b>1</b>	<b>Brown</b>	Power Supply (8 to 24 Vdc)
<b>2</b>	<b>White</b>	Output B phase (MAX 10 mA - 24 Vcc)
<b>3</b>	<b>Blue</b>	Power Supply (0 Vdc)
<b>4</b>	<b>Black</b>	Output A phase (MAX 10 mA - 24 Vcc)

**INCREMENTAL ENCODER  
TECHNICAL DATA**

Encoder type:	ELCIS mod. 478
Supply voltage:	8 to 24 Vcc
Current consumption:	120 mA max
Current output:	10 mA max
Output signal:	A phase- MONODIRECTIONAL A and B phase BIDIRECTIONAL
Response frequency:	100 KHz max
Number of pulses:	500 (others on request - max 2540)
Slew speed:	Always compatible with maximum motor speed
Operating temperature range:	from 0 to 70 °C
Storage temperature range:	from -30 to +85 °C
Ball bearing life:	1.5x10 <sup>9</sup> rpm
Weigth:	100 gr
Protection degree:	IP 67 (with protection and connector assembled)

Connectors:		
MONODIRECTIONAL	RSF3/0.5 M (Lumberg)	male
	RKT3-06/5m (Lumberg)	female
BIDIRECTIONAL	RSF4/0.5 M (Lumberg)	male
	RKT4-07/5m (Lumberg)	female

Note: Female connectors cable length equal to 5 m.

**Mounting**

Any mounting position  
 - Note the position of the case drain port (see below)

Install the motor properly  
 - Mounting surface must be flat and resistant to bending

Min. tensile strength of mounting screws to DIN 267 Part 3 class 10.9

- Note the prescribed fastening torque

**Pipes, pipe connections**

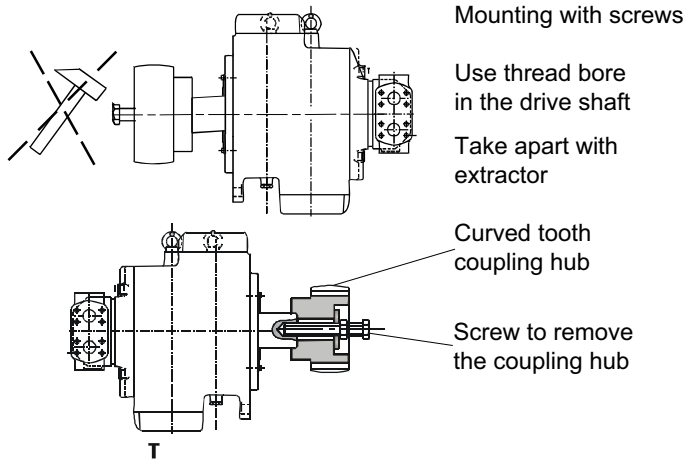
Use suitable screws!  
 - Depending on type of motor use either threaded or flange connection

Choose pipes and hoses suitable for the installation  
 - Please note manufacturing data!

Before operation fill with hydraulic fluid  
 - Use the prescribed filter!

**Note:** Two of the mounting screws must be precisely located/fitted if operation is started and stopped frequently or if high reversible frequencies exist.

**Coupling**



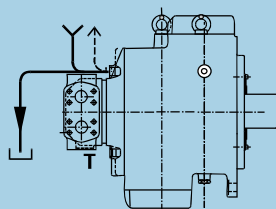
**DRAIN AND FLUSHING LINK INSTALLATION EXAMPLES**

**Note:** Install leakage line in such a way that motor **cannot** run empty.

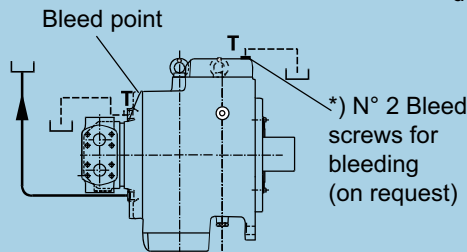
T = Seal  
 Y = Motor housing feeding point  
 ← = Bleed

**Note:** Install leakage line in such a way that motor **cannot** run empty.

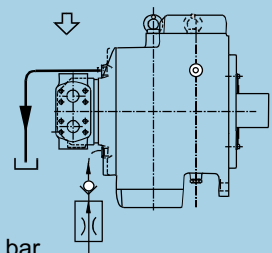
Low pressure case drain returns to tank



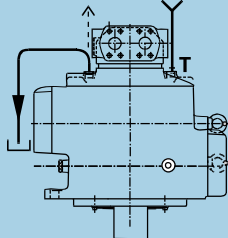
2 alternative case drain ports in the first cylinder row at 120° one from another



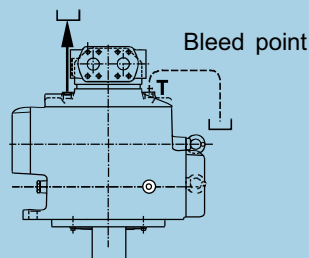
Cooling circuits for heavy duty continuous operation



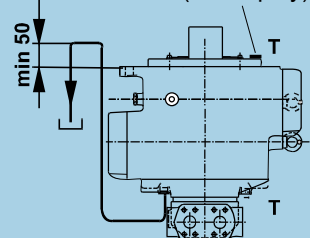
(release for bleeding)



Overhead tank



\*) Bleed screw (on enquiry)



Choose drain port in order to allow the complete filling of the housing with hydraulic fluid.

\*) Special designs for applications, where the equipment needs to be filled with oil.(e.g. in a salty atmosphere)

**CODE**

Example: MRT 7100P - D1 M1 F1 S1 N \*\*

1. MRT 7100P - D1 M1 F1 S1 N \*\*  
**SERIES**

<b>MRT</b>	standard 250 bar max. continuous
<b>MRTF - MRTE</b>	expanded 210 bar max. continuous

2. MRT 7100P - D1 M1 F1 S1 N \*\*

**SIZE & DISPLACEMENT**

<b>P</b>	code	<b>MRT 7100 P</b>	<b>MRTF 7800 P</b>	<b>MRTE 8500 P</b>
	Cm <sup>3</sup>	7100,4	7808,8	8517,3
	code	<b>MRT 9000 P</b>	<b>MRTF 9900 P</b>	<b>MRTE 10800 P</b>
	Cm <sup>3</sup>	9005,5	9903,9	10802,4
<b>Q</b>	code	<b>MRT 14000 Q</b>	<b>MRTF 15500 Q</b>	<b>MRTE 16500 Q</b>
	Cm <sup>3</sup>	14010	15277	16543
	code	<b>MRT 17000 Q</b>	<b>MRTF 18000 Q</b>	<b>MRT 19500 Q</b>
	Cm <sup>3</sup>	16759	18025	19508
	code	<b>MRTE 20000 Q</b>	<b>MRTF 21500 Q</b>	<b>MRTE 23000 Q</b>
	Cm <sup>3</sup>	19788	21271	23034

3. MRT 7100P - D1 M1 F1 S1 N \*\*  
**SHAFT**

<b>D1</b>	spline DIN 5480 (see page 17)
<b>F1</b>	female spline DIN 5480 (see page 17-19)

4. MRT 7100P - D1 M1 F1 S1 N \*\*

**SPEED SENSOR OPTION**

<b>N1</b>	none	
<b>Q1</b>	encoder drive (see page 20)	
<b>C1</b>	mechanical tachometer drive (see page 20)	
<b>T1</b>	tachogenerator drive (see page 20)	
<b>M1</b>	incremental Elcis encoder ( 500 pulse/rev) (see page 20)	Uni-directional
<b>B1</b>		Bi-directional

5. MRT 7100P - D1 M1 F1 S1 N \*\*

**SEALS**

<b>N1</b>	NBR mineral oil
<b>F1</b>	NBR, 15 bar shaft seal
<b>V1</b>	FPM seals
<b>U1</b>	no shaft seal (for brake)

6. MRT 7100P - D1 M1 F1 S1 N \*\*  
**CONNECTION FLANGE**

<b>S1</b>	SAE metric (see page 16-19)
<b>G1</b>	standard SAE 6000 psi metric (see page 16-19)
<b>M1</b>	SAE 6000 psi metric special timing (see page 18-19)

7. MRT - 7100P - D1 M1 F1 S1 N \*\*  
**ROTATION**

<b>N</b>	standard rotation (CW: inlet in A, CCW: inlet in B)
<b>S</b>	reversed rotation (CW: inlet in B, CCW: inlet in A)

8. MRT 7100P - D1 M1 F1 S1 N \*\*  
**SPECIAL**

<b>**</b>	space reserved to PARKER Calzoni
-----------	----------------------------------



FOR INFORMATION ABOUT SALES AND SERVICE LOCATIONS PLEASE CONTACT:

**Parker Calzoni S.r.l.**  
Via caduti di sabbiano 15/17  
40011 Anzola dell'Emilia  
Bologna – Italy  
Tel. +39.051.6501611  
Fax. +39.051.736221  
e-mail: [infocalzoni@parker.com](mailto:infocalzoni@parker.com)

or visit the websites:

[www.parker.com](http://www.parker.com)



[www.denisonhydraulics.com](http://www.denisonhydraulics.com)



YOUR LOCAL **PARKER CALZONI** REPRESENTATIVE

