

Partek Wrap

The need for a protective hose sleeve is not always considered while designing for a hose's application. Many hose assembly installations would benefit from a sleeve, but it is not obvious until all the other hoses and components are in place. Parker's Partek Wrap enables the hose sleeve to be installed after the hose assemblies have been positioned and secured in place. The Partek Wrap can be used as extra abrasion protection or to wrap multiple hoses or cables together.

Product Features

- Post assembly installation
- Light weight and highly flexible
- Urethane-coated 1050 Ballistic Nylon
- Ambient temperature range of -60°F to +200°F
- Fast and easy installation



Partek Wrap

Part Number	Bundle O.D.	Circumference inch	Open Width (+/- 0.375) inch	Roll Length feet	Color
PS-BV-300	3	9.40	10.90	50	Black
PS-BV-400	4	12.50	14.00	50	Black
PS-BV-500	5	15.75	17.25	50	Black
PS-BV-700	7	22.00	23.50	50	Black

Other sizes available upon request with minimum order.



A

B

C

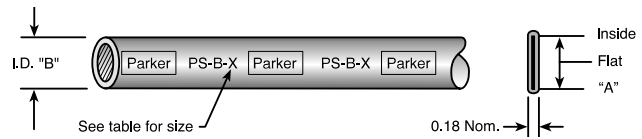
D

E

Accessory Selection Guide – Partek Sleeve (AS-B, AS-Y or PS)

Parker’s Partek Nylon Protective Sleeving gives you tough hose abrasion protection two ways. First, per the ISO 6945 specification, Partek has a unique tubular weave nylon construction, Partek “AS” is strong enough to withstand greater than 200,000 abrasion cycles without wearing through the fabric at any location. Partek “PS” can withstand greater than 50,000 abrasion cycles. In addition, this weave also gives an exceptionally smooth interior wall, allowing rubber hose to move freely inside the sleeve. This provides easy installation and prevents any internal abrasion problems. Partek sleeving is available in either black or yellow and in sizes to fit most hydraulic hose. Partek, the quick and easy solution to hose protection in high-abrasion areas.

Temperature Range: -67°F to +248°F (-53°C to +120°C)



Note: The inside flat “A” dimension corresponds with the inside diameter “B” dimension. For example, AS-Y-13 flat surface “A” is 1.34 in. This offers a .86 in. inside diameter “B”. Hose with a smaller O.D. can be specified for this size sleeve. Parker 201-5 hose has a .58 in. O.D. and can easily be inserted in the Partek AS-Y-13 Sleeve.



Partek Sleeve



Partek “PS” Sleeve

Partek Sleeve Application - Hose Type/Size

Partek Sleeve Black Part Number	Partek Sleeve Yellow Part Number	Partek PS Sleeve Black Part Number	Inside Diameter		SS25UL 201, 206 221FR 225, 235 244 266	213 271 285 293	BXX 302 301LT 304 381 421WC	AX, MX 351TC, 351ST 422, 424 426, 431 436, 451TC 451ST, 471TC 471ST, 472TC 482TC, 482ST	273	601 604 636 646	701, 711 721, 721TC 721ST, 722LT 722TC, 727LT 727TC, 727ST 774 787TC, 797TC	731, 781 782TC 782ST 791TC 792LT 792TC 792ST F42, P35	801 804 821 831 836	811 811HT 881	275	761	Twin Line	
			A	B														
AS-B-11	AS-Y-11		1.07	0.69	-4	-4		-3,-4										
AS-B-13	AS-Y-13	PS-B-13	1.34	0.86	-5,-6	-5,-6	-4,-5	-5,-6	-4	-4,-5				-5,-6				
AS-B-15	AS-Y-15	PS-B-15	1.66	1.06	-8	-8,-10	-6	-8	-6	-6	-6			-8				
AS-B-17	AS-Y-17	PS-B-17	1.92	1.22	-10	-12	-8,-10	-10	-8	-8	-8			-10		-10		
AS-B-19	AS-Y-19		2.12	1.35	-12			-12	-10	-10	-10			-12		-12	-10	
AS-B-22	AS-Y-22	PS-B-22	2.24	1.42	-16	-16	-12		-12	-12	-12			-16		-16		
AS-B-27	AS-Y-27		2.55	1.63				-16						-12			-12	6-6,8-8
AS-B-33	AS-Y-33	PS-B-33	2.85	1.81	-20	-20	-16		-16	-16	-16			-16			-16	8-8
AS-B-37	AS-Y-37	PS-B-35	3.43	2.19	-24	-24		-20			-20			-20			-20	
		PS-B-37	3.73	2.38			-20	-24			-20			-24			-24	
		PS-B-39	4.12	2.63	-32	-32	-24				-24			-24				
		PS-B-45	4.53	2.88			-32					-32			-32			
AS-B-58		PS-B-47	4.90	3.13	-40	-40					-32							
			5.69	3.63	-48	-48									-48			
AS-B-64			6.18	4.00														

Note: 1. The dimensions shown are related to the hose outside diameter and may not fit over the fitting. For over the fitting applications, a larger size sleeve may be required.
2. Cut lengths are available. Contact your local distributor for prices (www.parkerhose.com).

Accessory Selection Guide – PolyGuard (HG)

- Shield hose from abrasion and cuts
- Minimize kinking
- Cannot rust or corrode
- Resist water, oil, gasoline, hydraulic fluid, and most solvents
- Ideal for bundling plastic tubing or hose lines
- Easy to install without removing hose lines; no clamps needed

Heavy-duty polyethylene provides protection in rugged operating conditions. Great for bundling high-pressure hose lines.

Cut edges can be smoothed by applying heat.
CAUTION: This material will support combustion.

Color: Black

Temperature Range: 0°F to +200°F (-17°C to +93°C)



PolyGuard

PolyGuard (HG), ParKoil (PG) Application - Hose Type/Size

Poly Guard Part Number	ParKoil Part Number	Inside Dia.	SS25UL 201, 206 221FR 225, 235 244 266	213 271 285 293	BXX 302 301LT 304 381 421WC	AX, MX 351TC, 351ST 422, 424 426, 431 436, 451TC 451ST, 471TC 471ST, 472TC 482TC, 482ST	273	601 604 636 646	701, 711 721, 721TC 721ST, 722LT 722TC, 772ST 774 787TC, 797TC	731, 781 782TC 782ST 791TC 792LT 792TC 792ST F42, P35	801 804 821 821FR 831 836	811 811HT 881	275	761	Twin Line
HG-075		0.75	-8,-10	-8,-10	-6,-8	-8,-10	-6,-8	-6,-8	-4,-6		-8,-10		-10		
HG-100		1.00	-12	-12	-10,-12	-12	-10	-10	-8,-10		-12	-12	-12	-10	
HG-125		1.25	-16	-16		-16		-12	-12	-12	-16		-16	-12	
HG-150		1.50	-20,-24	-20,-24	-16,-20	-20	-16,-20	-16	-16	-16,-20		-16,-20	-20	-16	
HG-200		2.00	-32,-40	-32,-40	-24,-32	-24,-32		-20,-24,-32	-24,-32			-24,-32,-40	-24	-20	
HG-350		3.50	-48	-48								-48			
	PG-038	0.38		-4		-3									
	PG-050	0.50	-4,-5	-5	-3,-4	-4,-5	-4	-4			-4				
	PG-062	0.62	-6	-6,-8	-5	-6					-6				
	PG-075	0.75	-8	-10	-6	-8	-6	-6	-6		-8				
	PG-088	0.88	-10	-12	-8	-10	-8	-8	-8		-10				
	PG-100	1.00	-12	-12	-10,-12	-12	-10	-10	-10	-10	-12		-10	-10	
	PG-119	1.19	-16	-16				-12	-12	-12	-16	-12	-12		
	PG-138	1.38	-20,-24	-20,-24	-16	-16,-20	-16	-16	-16,-20	-16		-16,-20	-16,-20	-12,-16	6-6,6-8
	PG-188	1.88	-32,-40,-48	-32,-40,-48	-20,-24,-32	-24,-32		-24,-32	-24,-32	-20,-24,-32		-24,-32	-24	-20	8-8

Lower-cost protection for applications that call for a tighter bend radius and are less demanding.

Cut edges can be smoothed by applying heat.
CAUTION: This material will support combustion.

Color: Black

Temperature Range: 0°F to +200°F (-17°C to +93°C)



ParKoil™

Part Number	Inside Dia. inch	Box Qty. foot	201, 221FR 206, 225 244 266	213 285 293	302 301LT 304 341 421WC BXX	422, 424, 426 431, 436, AX 351TC/ST 451TC/ST 471TC/ST 472TC 482TC/ST	601	701 721 721TC 772TC/ST 774	731 781 P35, 781 782TC/ST 791TC 792TC/ST	801 804 821 821FR 831, 836	811 881 811HT
PG-038	0.38	50		-4		-3					
PG-050	0.50	50	-4/-5	-5	-3/-4	-4/-5	-4			-4	
PG-062	0.62	50	-6	-6/-8	-5	-6				-6	
PG-075	0.75	50	-8	-10	-6	-8	-6	-6		-8	
PG-088	0.88	50	-10	-12	-8	-10	-8	-8		-10	
PG-100	1.00	50	-12	-12	-10/-12	-12			-10	-12	
PG-119	1.19	25	-16	-16			-12	-12	-12		-12
PG-138	1.38	25	-20/-24	-20/-24	-16	-16/-20	-16	-16/-20	-16		-16/-20
PG-188	1.88	25	-32/-40	-32/-40	-20/-24	-24		-24	-20/-24		-24
PG-188	1.88	25	-48	-48	-32	-32		-32	-32		-32

Accessory Selection Guide – Spring Guard and Armor Guard

Parker Spring Guard and Armor Guard are two products that prolong the life of hose lines that are exposed to rugged operating conditions. They distribute bending radii to avoid kinking in hose lines and protect hose from abrasion and deep cuts. Guards are constructed of steel wire and plated to resist rust.



Spring Guard (SG)



Armor Guard (AG)

Spring Guard/Armor Guard Application - Hose Type/Size

Spring Guard Part Number	Armor Guard Part Number	Inside Dia.	SS25UL 201, 206 221FR 225, 235 244 266	213 271 285 293	BXX 302 301LT 304 381 421WC	AX, MX 351TC, 351ST 422, 424 426, 431 436, 451TC 451ST, 471TC 471ST, 472TC 482TC, 482ST	273	601 604 636 646	701, 711 721, 721TC 721ST, 722LT 722TC, 772LT 772TC, 772ST 774 787TC, 797TC	731, 781 782TC 782ST 791TC 792LT 792TC 821FR 831 F42, P35	801 804 821 821FR 831 836	811 811HT 881	275	761	Twin Line	
SG-050	AG-050	0.50		-4		-3										
SG-060	AG-060	0.60	-4	-5	-3	-4		-3,-4				-4,-5				
SG-066	AG-066	0.66	-5	-6	-4	-5		-4								
SG-072	AG-072	0.72	-6		-5	-6		-5				-6				
SG-084	AG-084	0.84	-8	-8	-6	-8		-6	-6	-4,-6	-4	-8				
SG-097	AG-097	0.97	-10	-10	-8	-10		-8	-8	-8	-6	-10			-10	
SG-106	AG-106	1.06		-12	-10			-10			-8					
SG-113	AG-113	1.13	-12			-12		-10	-10			-12				
SG-122	AG-122	1.22			-12						-10				-12	-10
SG-131	AG-131	1.31	-16	-16				-12	-12		-12	-16	-12			
SG-155	AG-155	1.55	-20	-20	-16	-16		-16	-16			-16	-16	-16	-12	6-6,8-8
SG-161		1.61									-16					
SG-166		1.66													-20	
SG-182	AG-182	1.82	-24	-24		-20		-20				-20			-16	8-8
SG-209	AG-209	2.09			-20	-24			-20		-20				-24	
SG-232	AG-232	2.32	-32		-24						-24				-20	
SG-292	AG-292	2.92										-40				

Note: Spring Guard and Armor Guard are packaged in 10 ft. pieces.

Polyguard Strain Reliever

Temperature Range: -40°F to +225°F

Material: Flexible PVD

Color: Black (check for availability of other colors)



Part Number	Length inches	Hose O.D. inches
4PG	7	0.53
6PG	7	0.63
7PG	7	0.69
8PG	7	0.84

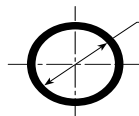
Accessory Selection Guide – Firesleeve (FS-F)

Parker Firesleeve is a flame resistant sheath that protects the hose from extreme temperature conditions. Firesleeve easily slides over hoses and readily expands over fitting. It can be assembled with Parker FSC or properly sized wormgear clamp.

Construction: Braided fiberglass sleeve and an orange, bonded and seamless silicone rubber cover.

Specifications: Conforms to SAE Aerospace Standard 1072A Type 2A.

Temperature Range: -54°C to +260°C (-65°F to +500°F).



Note: The Firesleeve inside dimension (I.D.) must exceed the outside diameter (O.D.) of the hose and offer an allowance for easy hose insertion. For example, 201-16 has a 1.23 in. O.D. FS-S-24, with an I.D. of 1.46 in., is the suggested Firesleeve.

Note: Parker FSC Clamp fits all hoses up to 2 in. O.D.

Note: Parker HC Clamps (wormgear) are listed on page D-26.



Firesleeve (FS-F)



FSC Clamp
Part Number: FSC
(One size fits all hoses up to 2 inch O.D.)

Proudly offering the following certifications and specifications

- UL 1441 Certified
- VW1 Flame Test Certified
- MSHA Certified for use in underground mines
- SAE AS1072E
- GL - Germanischer Lloyd Certified for 800°C for 30 minutes
- BS EN 373 Molten Splash Tested
- BS EN 388 Abrasion Tested
- BS EN ISO 6940 Flame Resistance Tested
- BS EN ISO 6530 Oil Resistance Tested
- BS 2576 Tensile Strength Tested
- DIN 54837 / 5510-2 Rail Vehicle Certified for Resistance to Combustibility
- DIN 5659-2 /5510-2 Rail Vehicle Certified for Toxicity

“FS - F” Application - Hose Type/Size

Part Number	Inside Dia.	SS25UL		BXX	AX, MX		601	701, 711		731, 781		801	811	275	761	Twin Line
		201, 206	213		302	351TC, 351ST		721, 721TC	782TC	804						
FS-F-10	0.58	-4	-4	-3	422, 424	-3										
FS-F-11	0.65	-5	-5	-4	426, 431	-4										
FS-F-12	0.71		-6	-5	436, 451TC											
FS-F-14	0.84	-6,-8	-8	-6	451ST, 471TC	-6	-5,-6									
FS-F-16	0.96		-10	-8	471ST, 472TC	-8		-6	-4							
FS-F-18	1.08	-10	-12	-8,-10	482TC, 482ST	-8		-8								
FS-F-20	1.21	-12		-12		-10		-10	-8							
FS-F-24	1.46	-16	-16			-10		-10	-12							
FS-F-30	1.84	-24	-24					-16	-16							6-6,6-8
FS-F-38	2.34	-32	-32	-20,-24				-20,-24	-20							8-8
FS-F-40	2.46								-24							

Note: See Page D-24 for Firesleeve assembly instructions.

A

B

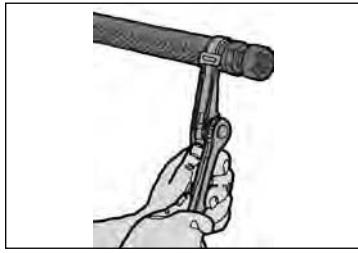
C

D

E

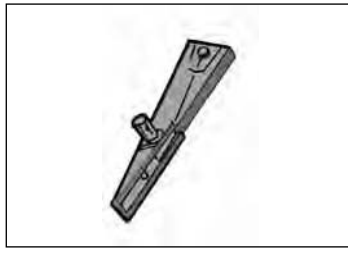
Accessory Selection Guide – Firesleeve (cont.)

A



FSC Clamp

Used to attach firesleeve around socket on hose sizes with a 2" maximum O.D.



FST Clamp Tool

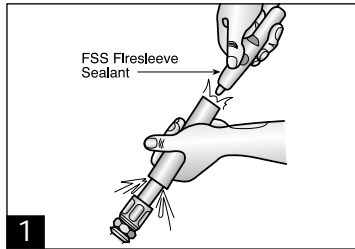
Part Number: FST-711617 Used to secure FSC clamp.



FSS Firesleeve Sealant

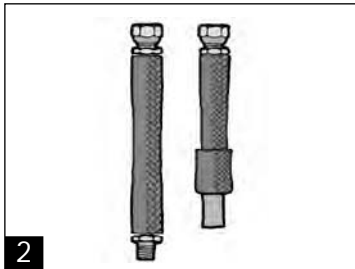
Keeps end of firesleeve from fraying - for neater, longer lasting installation.

B



1

C



2

D



3

E



4

Firesleeve Assembly Instructions

1. Assemble one end fitting on hose. Cut firesleeve to same length as hose. Cover approximately 1" of each end of firesleeve with FSS sealant and allow to dry.
2. Push firesleeve back from cut end of hose and assemble the second end fitting. Then pull firesleeve completely over both sockets.
3. Insert tail of FSC clamp into FST clamping tool.
4. Position clamp around middle of socket and tighten with tool. Bend end of band back over buckle. Repeat on other end. Repair any scuffs or abrasions in firesleeve with FSS sealant.

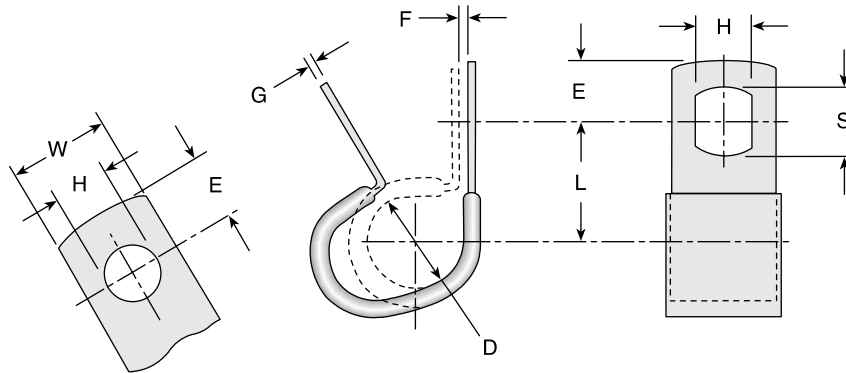
Accessory Selection Guide – CL Clamp

Vinyl coated steel clamps provide hose support where long lengths are used. Provides neater installation of hose lines, minimizes hose chafing and prevents damage to hose.

Material: CR Steel with Zinc Plating

Coating: Black Vinyl Plastisol - 0,8 mm (0.03 inch) thick.

Temperature Range: -40°C to +107°C (-40°F to +225°F).



Part Number	D		H		L		W		E		F		G		S	
	±0,8 (mm)	±0.031 (inch)	±0,1 (mm)	±0.005 (inch)	±0,8 (mm)	±0.031 (inch)	±0,25 (mm)	±0.01 (inch)	±0,4 (mm)	±0.015 (inch)	±0,8 (mm)	±0.031 (inch)	±0,1 (mm)	±0.004 (inch)	±0,5 (mm)	±0.020 (inch)
CL-6	7,90	0.312	10,30	0.406	17,45	0.687	19,05	0.750	11,10	0.437	0,80	0.031	0,80	0.032	12,70	0.500
CL-7	9,50	0.375	10,30	0.406	18,25	0.718	19,05	0.750	11,10	0.437	1,55	0.062	0,80	0.032	12,70	0.500
CL-8+	11,10	0.437	10,30	0.406	19,05	0.750	19,05	0.750	11,10	0.437	1,55	0.062	1,20	0.048	12,70	0.500
CL-9	12,70	0.500	10,30	0.406	19,85	0.781	19,05	0.750	11,10	0.437	1,55	0.062	1,20	0.048	12,70	0.500
CL-10+	14,25	0.562	10,30	0.406	20,60	0.812	19,05	0.750	11,10	0.437	1,55	0.062	1,20	0.048	12,70	0.500
CL-11	15,90	0.625	10,30	0.406	21,40	0.843	19,05	0.750	11,10	0.437	1,55	0.062	1,20	0.048	12,70	0.500
CL-12	17,45	0.687	10,30	0.406	22,20	0.875	19,05	0.750	11,10	0.437	1,55	0.062	1,20	0.048	12,70	0.500
CL-13	19,05	0.750	10,30	0.406	23,00	0.906	19,05	0.750	11,10	0.437	1,55	0.062	1,20	0.048	12,70	0.500
CL-14	20,60	0.812	10,30	0.406	23,80	0.937	19,05	0.750	11,10	0.437	1,55	0.062	1,20	0.048	12,70	0.500
CL-15+	22,20	0.875	10,30	0.406	24,60	0.968	19,05	0.750	11,10	0.437	1,55	0.062	1,20	0.048	12,70	0.500
CL-16	23,80	0.937	10,30	0.406	25,40	1.000	19,05	0.750	11,10	0.437	1,55	0.062	1,20	0.048	12,70	0.500
CL-17	25,40	1.000	10,30	0.406	26,20	1.031	19,05	0.750	11,10	0.437	1,55	0.062	1,20	0.048	12,70	0.500
CL-18+	26,95	1.062	10,30	0.406	26,95	1.062	19,05	0.750	11,10	0.437	1,55	0.062	1,20	0.048	12,70	0.500
CL-19	28,60	1.125	10,30	0.406	27,75	1.093	19,05	0.750	11,10	0.437	1,55	0.062	1,20	0.048	12,70	0.500
CL-20+	30,20	1.188	13,50	0.531	31,75	1.250	25,40	1.000	14,25	0.562	1,55	0.062	1,20	0.048	15,90	0.625
CL-21	31,75	1.250	13,50	0.531	32,55	1.281	25,40	1.000	14,25	0.562	1,55	0.062	1,20	0.048	15,90	0.625
CL-22+	33,30	1.312	13,50	0.531	33,30	1.312	25,40	1.000	14,25	0.562	1,55	0.062	1,20	0.048	15,90	0.625
CL-23	34,90	1.375	13,50	0.531	34,10	1.343	25,40	1.000	14,25	0.562	1,55	0.062	1,20	0.048	15,90	0.625
CL-24+	36,50	1.437	13,50	0.531	34,90	1.375	25,40	1.000	14,25	0.562	1,55	0.062	1,20	0.048	15,90	0.625
CL-25	38,10	1.500	13,50	0.531	35,70	1.406	25,40	1.000	14,25	0.562	1,55	0.062	1,20	0.048	15,90	0.625
CL-26+	39,65	1.562	13,50	0.531	36,50	1.437	25,40	1.000	14,25	0.562	1,55	0.062	1,20	0.048	15,90	0.625
CL-27+	41,25	1.625	13,50	0.531	37,30	1.468	25,40	1.000	14,25	0.562	1,55	0.062	1,20	0.048	15,90	0.625
CL-29	44,45	1.750	13,50	0.531	38,90	1.531	25,40	1.000	14,25	0.562	1,55	0.062	1,20	0.048	15,90	0.625
CL-31+	47,65	1.875	13,50	0.531	40,45	1.593	25,40	1.000	14,25	0.562	1,55	0.062	1,20	0.048	15,90	0.625
CL-33	50,80	2.000	13,50	0.531	42,85	1.687	25,40	1.000	14,25	0.562	1,55	0.062	1,20	0.048	15,90	0.625
CL-36+	55,55	2.187	13,50	0.531	46,00	1.812	25,40	1.000	14,25	0.562	1,55	0.062	1,20	0.048	15,90	0.625
CL-37	57,15	2.250	13,50	0.531	46,00	1.812	25,40	1.000	14,25	0.562	1,55	0.062	1,20	0.048	15,90	0.625
CL-38+	58,70	2.312	13,50	0.531	49,20	1.937	25,40	1.000	14,25	0.562	1,55	0.062	1,20	0.048	15,90	0.625
CL-41+	63,50	2.500	13,50	0.531	50,80	2.000	25,40	1.000	14,25	0.562	1,55	0.062	1,20	0.048	15,90	0.625
CL-43	66,65	2.625	13,50	0.531	58,70	2.312	25,40	1.000	14,25	0.562	1,55	0.062	1,20	0.048	15,90	0.625

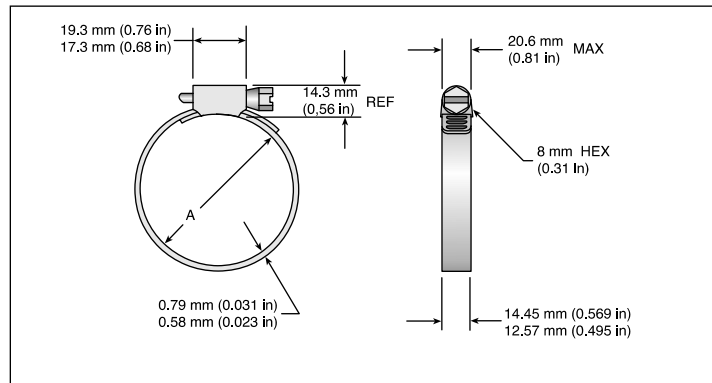
Accessory Selection Guide – HC, 88HC-H and 88DB Clamp

The Parker HC Clamp is a stainless steel worm gear clamp designed for low pressure industrial hose applications.
Material: Stainless steel

Specifications: SAE J1508, Type F and Type HD

HC Hose Clamp Table

Part Number	Size (SAE)	"A" Clamp Diameter			
		Minimum		Maximum	
		mm	inch	mm	inch
HC-6	-8	12	0.48	25	1.00
HC-8	-10	13	0.50	28	1.12
HC-10	-12	13	0.50	32	1.25
88HC-12	-16	19	0.75	38	1.50
88HC-16	-20	19	0.75	44	1.75
88HC-20	-24	25	1.00	51	2.00
88HC-24	-28	33	1.31	57	2.25



88HC-H

Series Hose Clamp
(High Torque Wormgear)

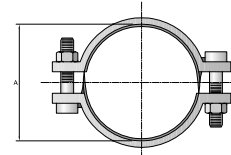
#	Hose I.D.
Part Number	inch
88HC-16H	3/4
88HC-16H	1
88HC-20H	1-1/4
88HC-32H	1-1/2
88HC-32H	2
88HC-40H	2-1/2
88HC-48H	3



88DB

Series Heavy Duty Hose Clamp
(Double Bolt Hose Clamp)

#	Hose I.D.
Part Number	inch
88DB-12	3/4
88DB-16	1
88DB-20	1-1/4
88DB-24	1-1/2
88DB-32	2



Note: See 88 Series Assembly Instructions for proper 88HC-H clamp attachment.

Accessory Selection Guide – Protection Shields (HP, HT, and HP-B)

Prevent hose abrasion while extending your hose life. Parker Hose Protection Shields extend hose life by protecting the hose from abrasion that occurs when hose rubs against other hose, metal or concrete. Parker hose shields are resistant to oil, lubricants, gasoline, most solvents and can withstand ambient temperatures from -40° to +300° F. Easily installed and secured by cable ties without disconnecting any hose lines. Use with hose from 1/4" to 2" I.D.

- ◆ Eliminate hose abrasion on concrete, metal or any rough surface.
- ◆ Guard against hose deterioration on mobile hydraulic equipment.
- ◆ Let Parker fill all your hydraulic and pneumatic hose product needs.

Hose Protector Shields are a fast and extremely cost effective way to isolate fluid lines from direct contact with other lines, components or structural members. They're available in 4-inch, 6-inch and 8-inch lengths and the width can be trimmed to satisfy a variety of situations.

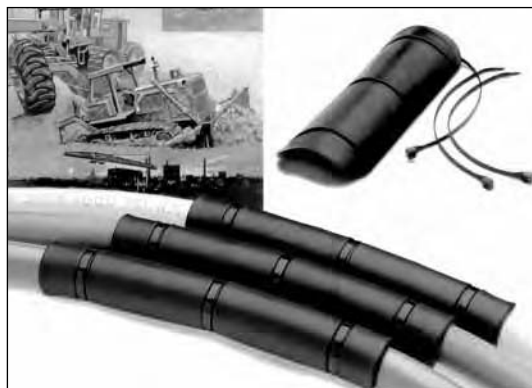
These flexible protectors simply clamp around the hose and are securely held in place by nylon cable ties which are included. The cable ties are recessed in molded grooves to protect them from abrasion. You don't need to disconnect a line to install a Parker Hose Protector Shield the way you do with a continuous tubular sleeve. Just wait until the installation is up and running to see exactly where contact needs to be prevented.

Parker Hose Protector Shields are available in bulk quantities and in convenient assortments in 4", 6" and 8" sizes. Cable ties are included with all protectors and are also available in bulk.

Hose Shields		Tie Wraps	
HP-B-13X18-KIT	2 ea. HP-B-13 RFL	HT-12-KIT	30 ea. HT-12 Tie Wraps
	2 ea. HP-B-15 RFL	HT-16-KIT	30 ea. HT-16 Tie Wraps
	4 ea. HP-B-18 RFL	HT-22-KIT	15 ea. HT-22 Tie Wraps

20 Hose Protectors and 60 Tie Wraps for each size are in point of purchase display box.

HP-B-13-RFL	10 ea. HP-B-13 Hose Protectors (4"). 30 ea. HT-12 Tie Wraps in a sealed plastic bag.
HP-B-15-RFL	10 ea. HP-B-15 Hose Protectors (6"). 30 ea. HT-16 Tie Wraps in a sealed plastic bag.
HP-B-18-RFL	5 ea. HP-B-18 Hose Protectors (8"). 15 ea. HT-22 Tie Wraps in a sealed plastic bag.



Contact your authorized Parker Hose Products Distributor for pricing and delivery information.

Note: Parker Hose Protector Shield products are intended to prevent damage. They are not suitable as patches or repairs for lines which are already damaged or worn beyond safe use standards.